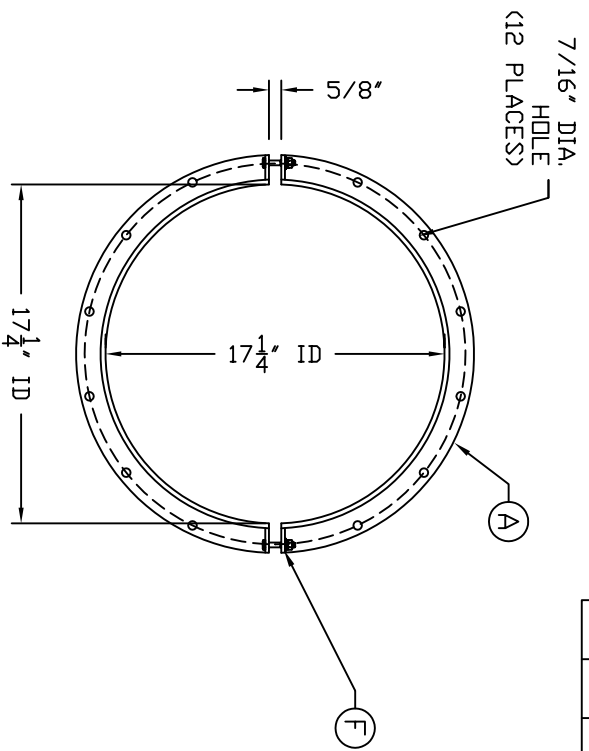
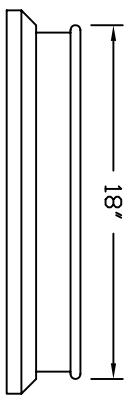
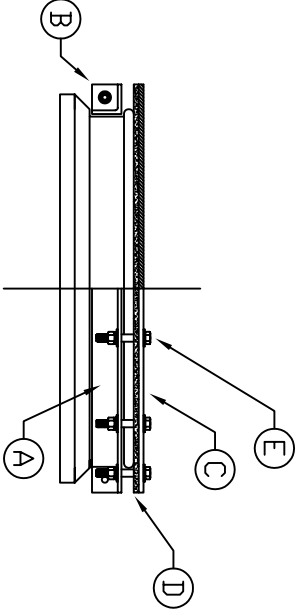
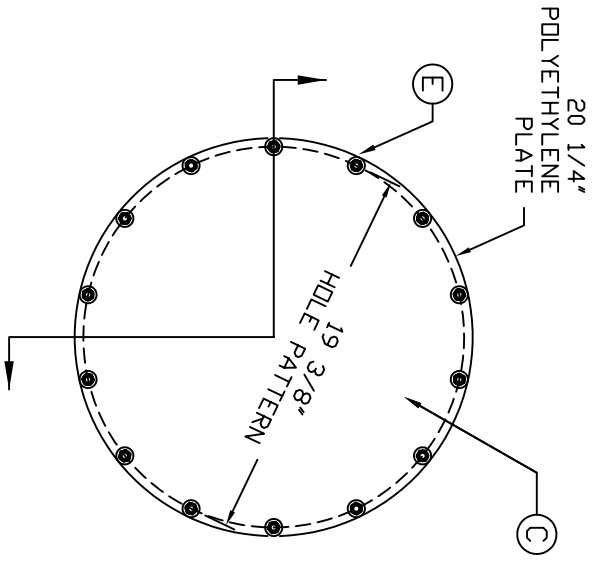


ACCESSORIES

MK	QTY	SIZE	DESCRIPTION
A	1	-	1 1/2" X 1 1/2" X 3/16" EPOXY PAINTED ANGLE IRON RING ROLLED TO 17 1/4" ID. WITH WELDED END PLATES SEE PART B
B	4	-	1 1/16" X 1 1/16" X 3/16" FLAT STOCK WITH 5/16" DIA. HOLE CENTER DRILLED
C	1	-	20 1/4" DIA. POLYETHYLENE PLATE 3/8" THICK MINIMUM
D	1	-	1/2" THICK XLPE GASKET
E	12	-	3/8" - 20 UNC - 2 1/2" STAINLESS STEEL HEX HD BOLT WITH FLATE WASHER, LOCK WASHER, & NUT
F	2	-	1/4" - 20UNC - 1 1/2" STAINLESS STEEL HEX HD BOLT WITH FLAT WASHER, LOCK WASHER, AND NUT



DIMENSIONAL TOLERANCE IS +.00" OR - .128 (1/8")

REV	DESCRIPTION	DATE
E	UPDATED TITLE BLOCK	8/8/09 MG
D	ADDED DIMENSIONS ON RINGS & CHANGED DIMENSIONAL TOLERANCES	2/26/03
C	CORRECTED CALL-OUT BLOCK	12/17/01
B	ADDED HOLE PATTERN DIMENSION	10/17/97
A	CHANGED I.D. TO 17 1/4"	12/16/96
REV	REVISION DESCRIPTION	REV DATE



300 N TAYLOR ROAD  
GARRETT, IN 46738  
PHONE: (260) 357-3181  
FAX: (260) 357-3738

TITLE	SPECIAL 16" SPLIT RING BOLTED AND GASKETED MANWAY COVER
DWG NUMBER	16 BOLTED
REV	E

SALES ORDER	BRANNI BY S. RIVALLISON
DATE	12/17/01