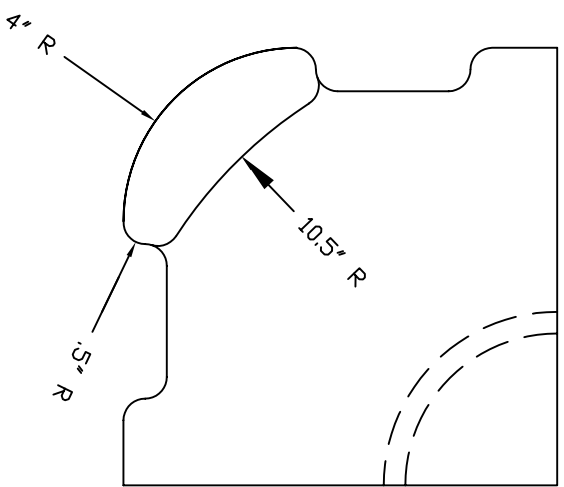


3/8" DIA.
HOLES DRILLED
(2 PLACES)

NOTES:
1. RESIN:
LINEAR MEDIUM DENSITY POLYETHYLENE

RETAINER RIB
DETAIL



REV	A	UPDATED TITLE BLOCK	1/29/09	MG
REV		REVISION DESCRIPTION	REV	DATE
		300 N TAYLOR ROAD GARRETT, IN 46738 PHONE: (260) 357-3181 FAX: (260) 357-3738	DRAWN BY: S. RYDLISON	
TITLE ASSMANN CORPORATION 40 GAL. FEED STATION STAND		DATE: 2/7/00	DWG NUMBER: AFS40S	
			REV	A