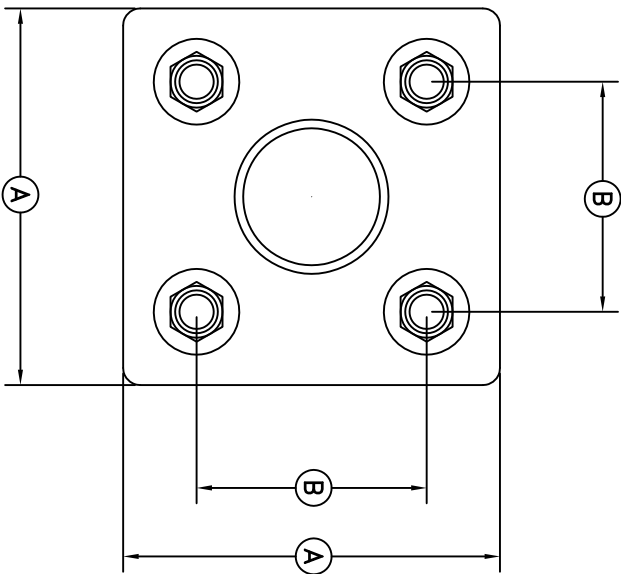
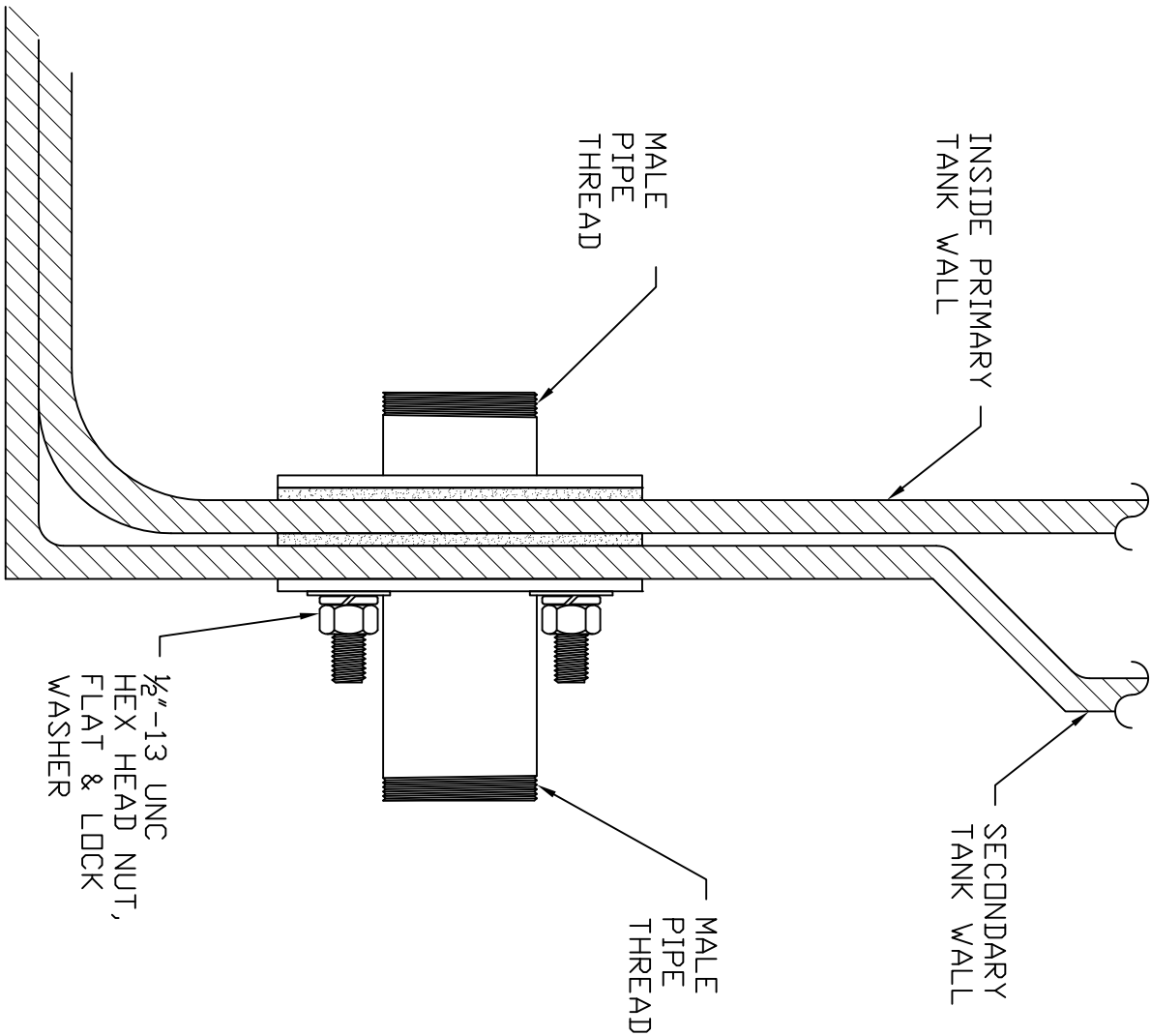


DESIGN DATA

MALE PIPE SIZE	PLATE SIZE DIM. A	NUMBER OF BOLTS	BOLT PATTERN DIM. B
2"	5 1/2"	4	3 3/8"
3"	7"	4	4 1/4"

NOTES:

- 1) GASKET MATERIAL:
E.P.D.M. (Std.) VITON & XLPE OPTIONAL
- 2) FITTING MATERIAL:
316 STAINLESS STEEL, TITANIUM, HASTELLOY C-276



ITEM TITLE: **DOUBLE WALL DOUBLE MALE FITTING**

SCALE: **—**
 DATE: **6/4/13**
Asmann
 CORPORATION OF AMERICA

REV: **—**
 CUSTOMER APPROVAL:
 DWG NO: **DVDM**