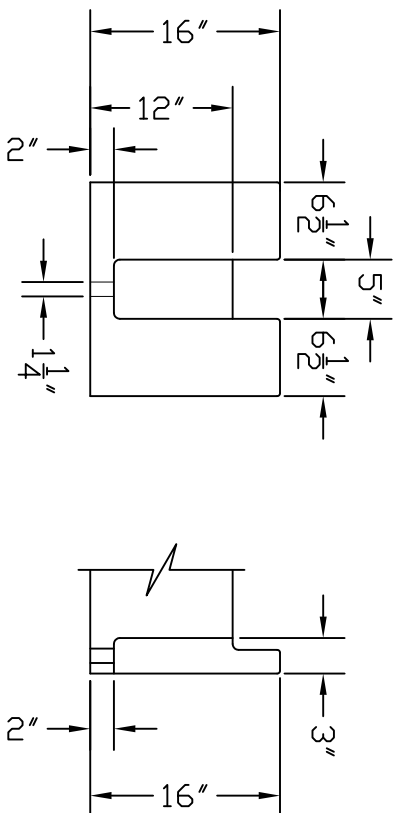
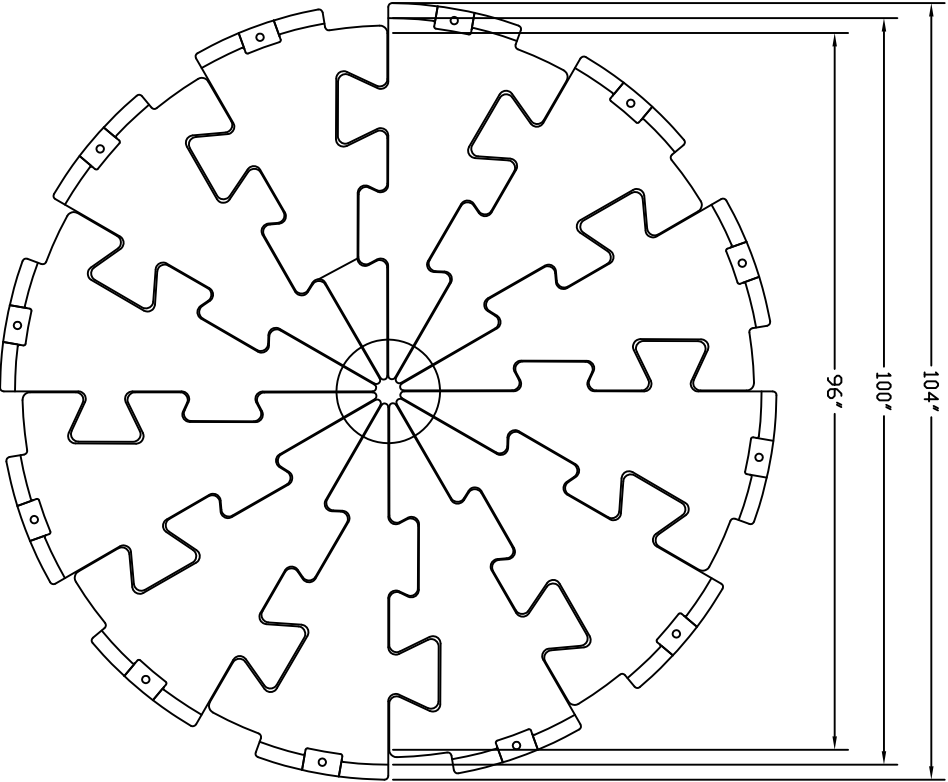
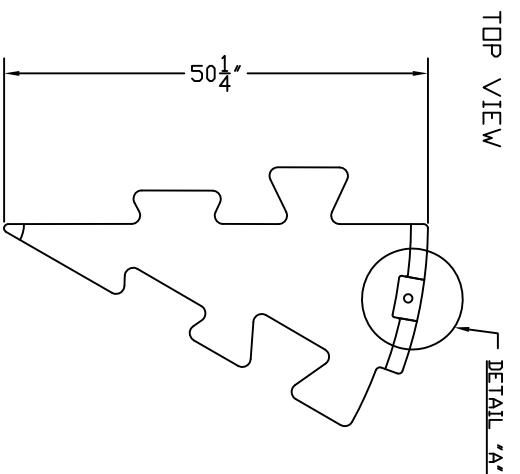
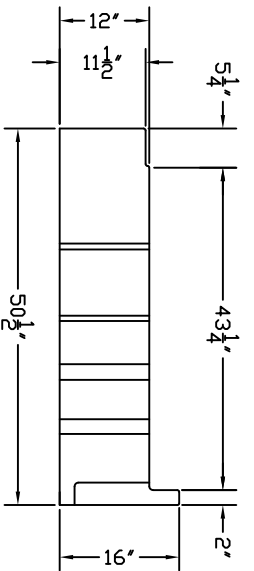
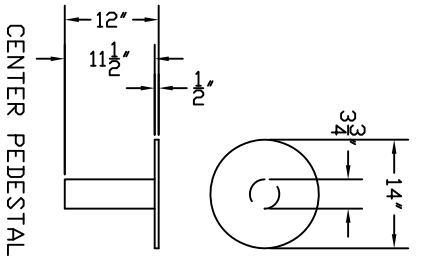



STAND CONSTRUCTION:
 LINEAR POLYETHYLENE
 COLOR: BLACK



DETAIL "A"

ACCESSORIES	
MK	DESCRIPTION
QTY <td>SIZE</td>	SIZE

REV	REVISION DESCRIPTION	REV DATE


Loma
 CORPORATION OF AMERICA
 300 N TAYLOR ROAD
 GARRETT, IN 46738
 PHONE: (260) 357-3181
 FAX: (260) 357-3738
 TITLE: MODULAR POLYETHYLENE TANK STAND
 FOR 96" DIA TANKS AND SMALLER
 DRAWN BY: SRDWILSON
 DATE: 1/26/12
 DWG NUMBER: FDOTS96
 REV: Ø