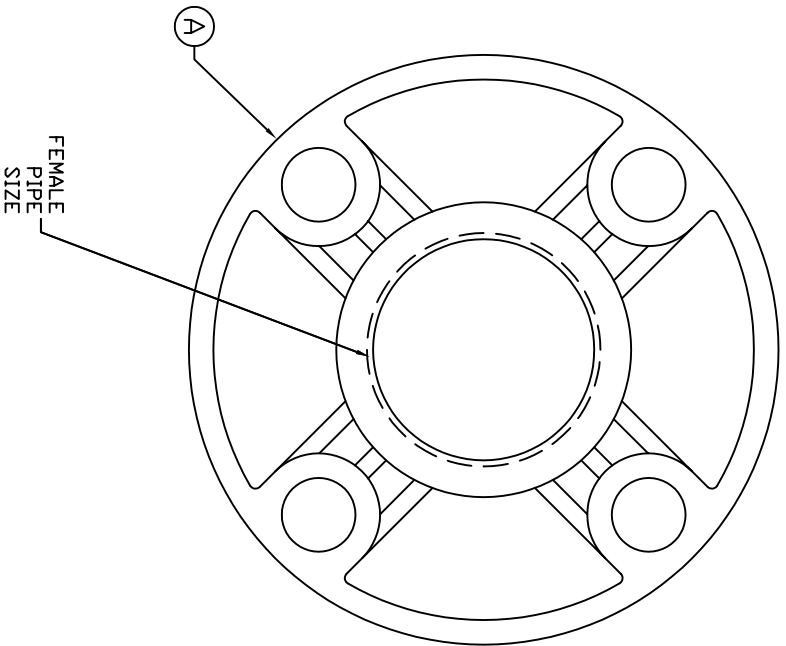
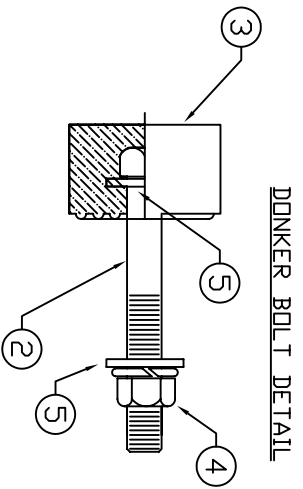
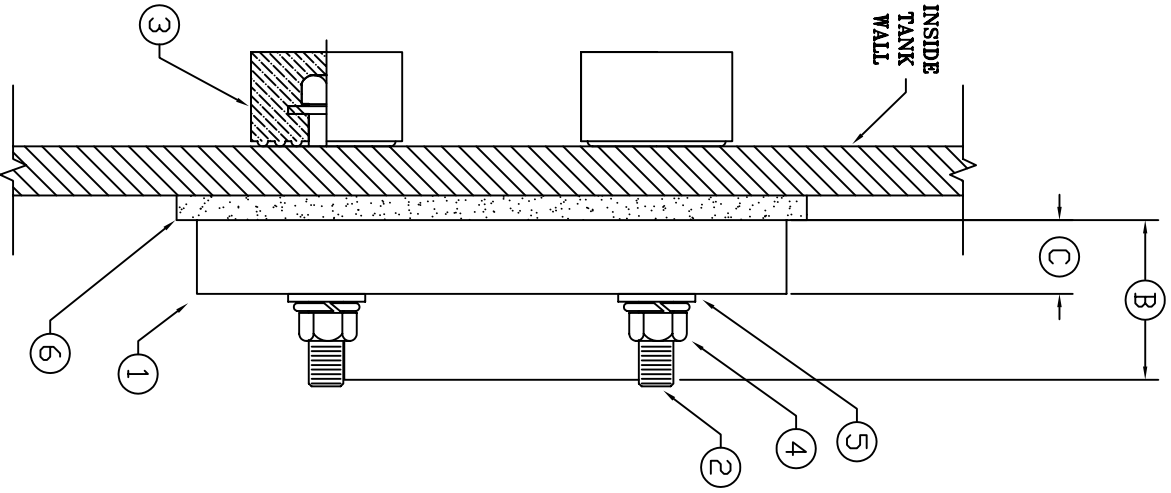


- NOTES:
1. A.N.S.I.-B 150LBS. FLANGE
 2. 1/2"-13UNC-2B X 3" HEX HD BOLT
 3. 2" ϕ ENCAPSULATED BOLT HEAD
 4. 1/2"-13UNC-2B HEX NUT
 5. 1/2" WASHERS
 6. GASKET



FPT PIPE SIZE	DIM. A	DIM. B	DIM. C	# OF BOLTS	DIM. OF BOLT HOLE
1/2"	3 1/2"	7/8"	1/2"	4	2 3/8" ϕ
3/4"	3 7/8"	7/8"	9/16"	4	2 3/4" ϕ
1"	4 1/4"	1"	5/8"	4	3 1/8" ϕ
1 1/4"	4 5/8"	1"	3/4"	4	3 1/2" ϕ
1 1/2"	5"	1"	3/4"	4	3 7/8" ϕ
2"	6"	1 1/8"	7/8"	4	4 3/4" ϕ
2 1/2"	7"	1 3/8"	7/8"	4	5 1/2" ϕ
3"	7 1/2"	1 1/4"	1"	4	6" ϕ
4"	9"	1 1/2"	1 1/8"	8	7 1/2" ϕ
6"	11"	1 5/8"	1 1/4"	8	9 1/2" ϕ

MATERIALS:

FLANGE:

PVC CPVC POLYPROPYLENE PVDF (OPTIONAL)

BOLTS, NUTS & WASHERS:

316 STAINLESS STEEL HASTELLOY TITANIUM

GASKET MATERIAL:

E.P.D.M VITON XLPE BUNA GORTEX

MOLDED ENCAPSULATED BOLT HEAD:

E.P.D.M & VITON ONLY

REV	DESCRIPTION	DATE
A	UPDATED TITLE BLOCK	4/17/09 MG

Ice Forman
CORPORATION OF AMERICA

300 N TAYLOR ROAD
GARRETT, IN 46738
PHONE: (260) 357-3181
FAX: (260) 357-3738

DRAWN BY: _____
DRAWN DATE: 4/02/93
DWG NUMBER: FFO01
REV: A

TITLE: FLANGE FITTING WITH FREE BOLTS