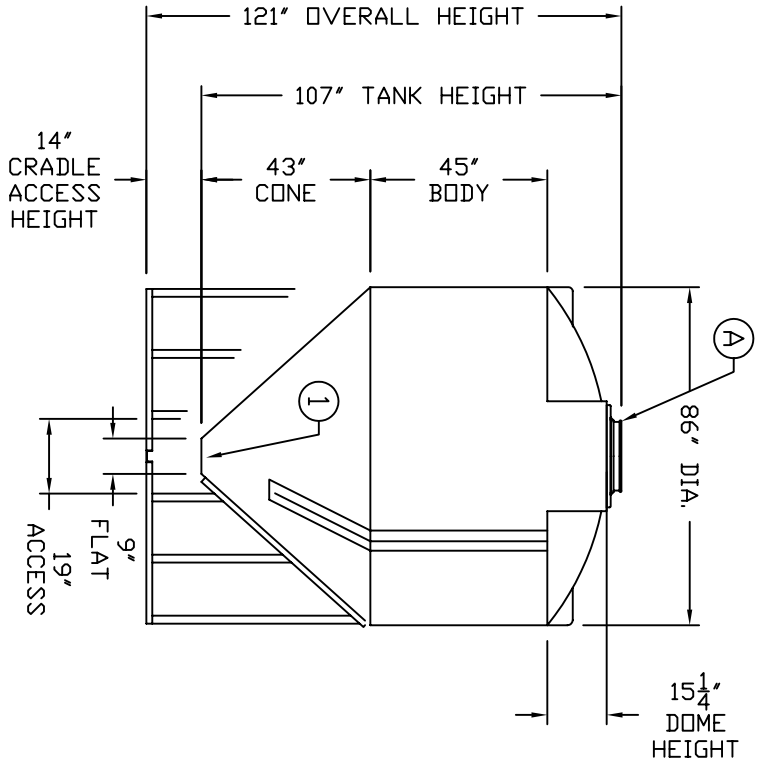
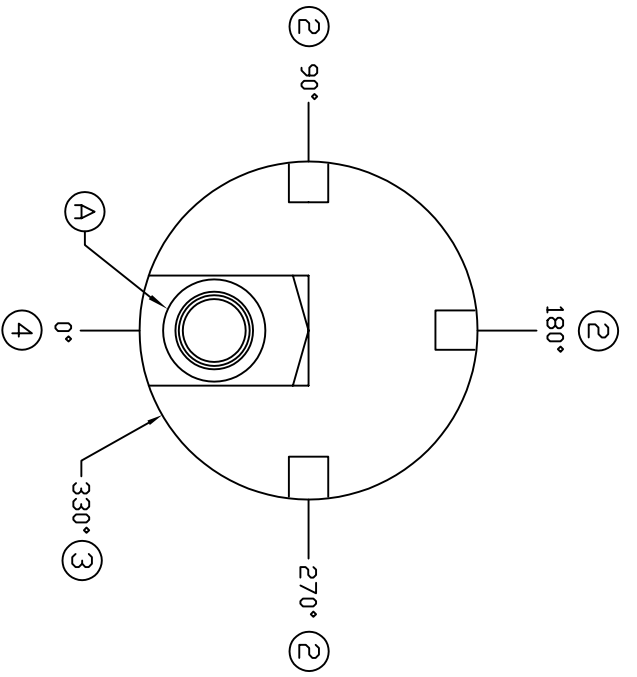


ACCESSORIES					
MK	SIZE	DESCRIPTION	DEG	ELEV	DOME
A	16"	MANWAY W/ LEVER LOCKING COVER	0°	-	X



- NOTES:
1. CONE TIP FLAT 9" DIA.
 2. 10" X 10" DOME FLATS (3 PLACES)
 3. MOLDED IN VOLUME MARKER
 4. 28" X 43" MANWAY FLAT

B	UPDATED TITLE BLOCK	11/24/08	MG
A	ADDED 10" X 10" DOME FLATS	08/26/96	DC
REV	REVISION DESCRIPTION	REV DATE	

		Assmann CORPORATION OF AMERICA	
TITLE ICB 1575 GAL. CONICAL BOTTOM STORAGE TANK		300 N TAYLOR ROAD GARRETT, IN 46728 PHONE: (560) 357-9181 FAX: (560) 357-3728	
DRAWN BY D. CRAGER	REVISION DATE 11/21/95	SALES ORDER#	RESIN USED POLYETHYLENE
ASSMANN CORPORATION OF AMERICA		TANK WEIGHT - LBS.	SP.G. MAX
ALL DIMENSIONS ARE IN INCHES AND ARE ±3%		DWG NUMBER ICB 1575	REV B