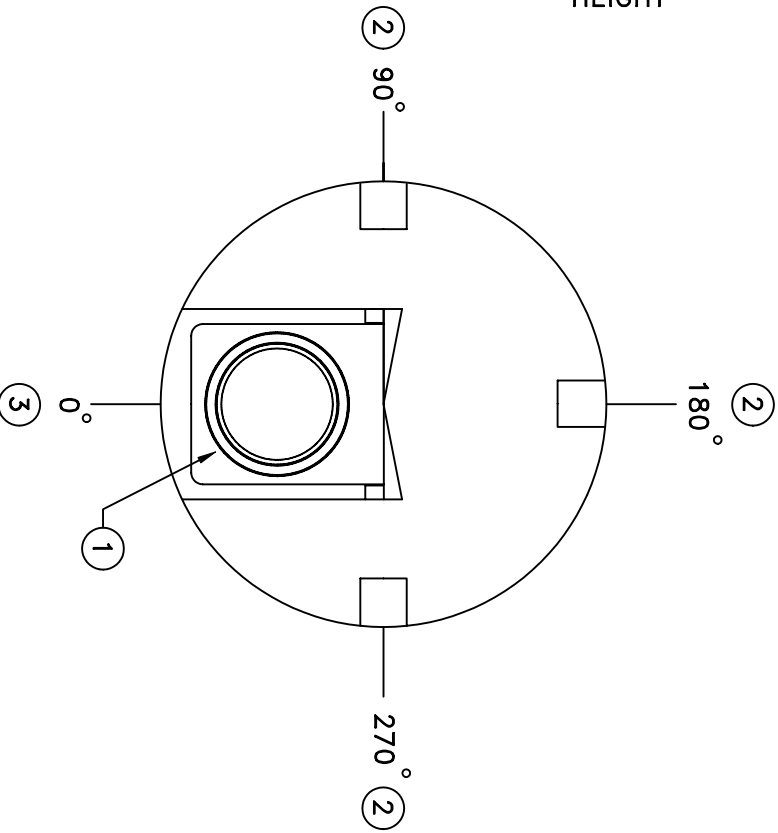
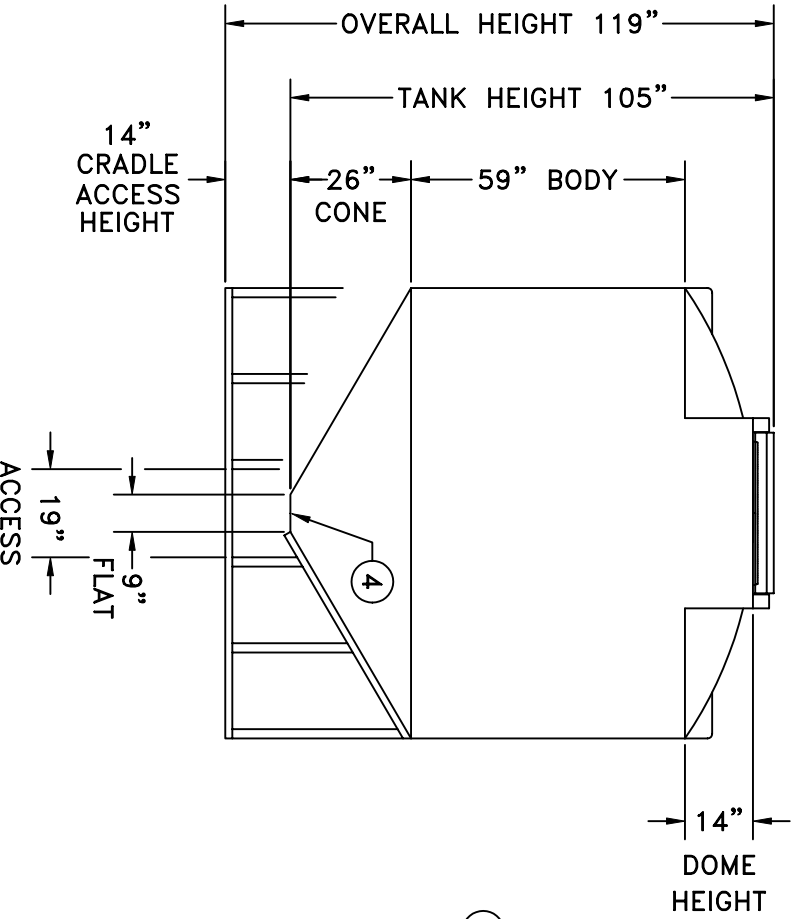


NOTES:

- 1 24" MANWAY WITH HINGED COVER
- 2 10" X 10" DOME FLATS (3 PLACES)
- 3 41" X 48" DOME FLAT
- 4 8" DIA. CONE TIP FLAT



ACCESSORIES

MK	SIZE	DEG	ELEV	DOM

REV TITLE	ICB 2200 gal. CONICAL BOTTOM STORAGE TANK		REV NO	ICB 2200
DATE	11/22/95	 CORPORATION OF AMERICA	CUSTOMER APPROVAL	
BY	NONE		D. CRAGER	