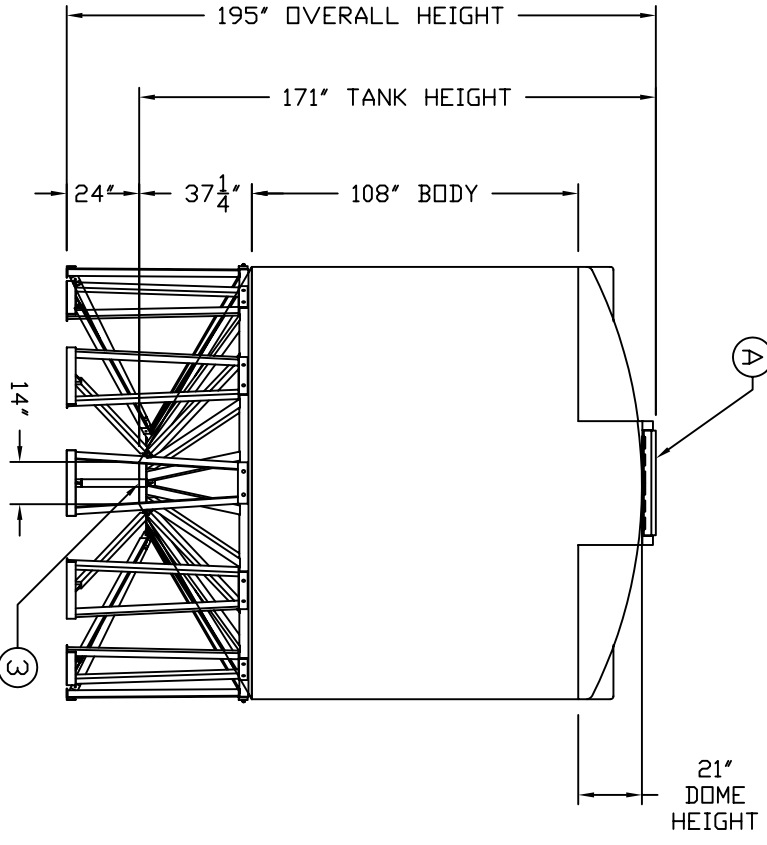
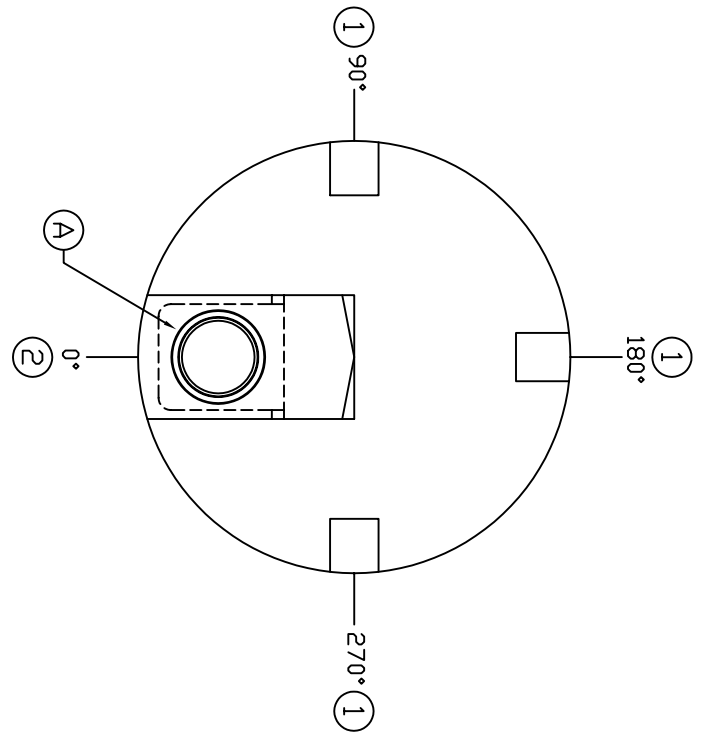


ACCESSORIES					
MK	SIZE	DESCRIPTION	DEG	ELEV	DOME
A	24"	MANWAY W/ HINGED MANWAY COVER	0°	-	X



- NOTES:
1. 16" X 18" DOME FLAT (3 PLACES)
 2. 41" X 71 1/2" DOME FLAT
 3. 14" DIA. CONE TIP FLAT

A	UPDATED TITLE BLOCK	12/30/08	MG
REV	REVISION DESCRIPTION	REV DATE	
TITLE ICB 8000 GAL. CONICAL CORPORATION OF AMERICA 300 N TAYLOR ROAD GARRETT, IN 46728 PHONE: (260) 337-3181 FAX: (260) 337-3728			
POLYETHYLENE TANK RESISTED SPECIFIC GRAVITY - S.P.G. MAX			
RESIN USED:			
TANK WEIGHT LBS.			
TANK ORDER NATURAL			
DWG NUMBER: ICB 8000			
REV A			
ALL DIMENSIONS ARE IN INCHES AND ARE ±3%			