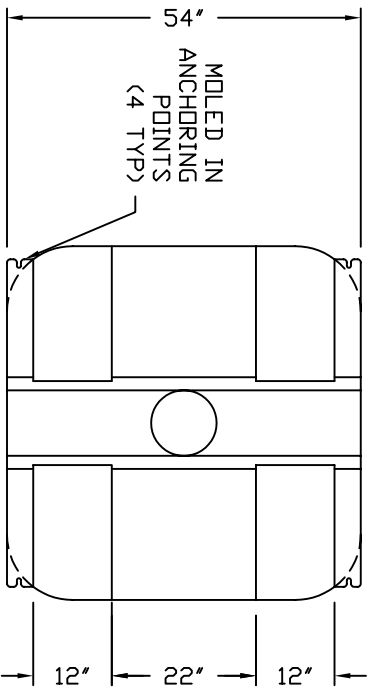
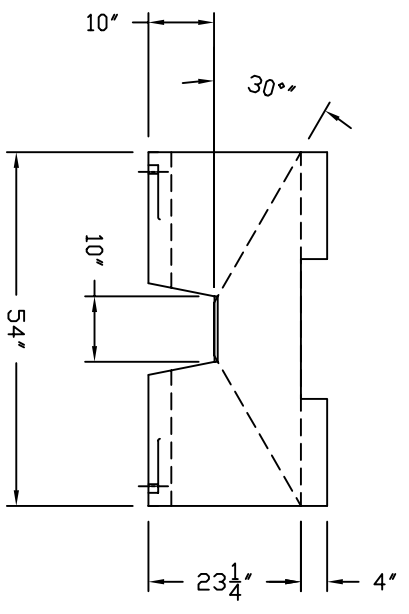
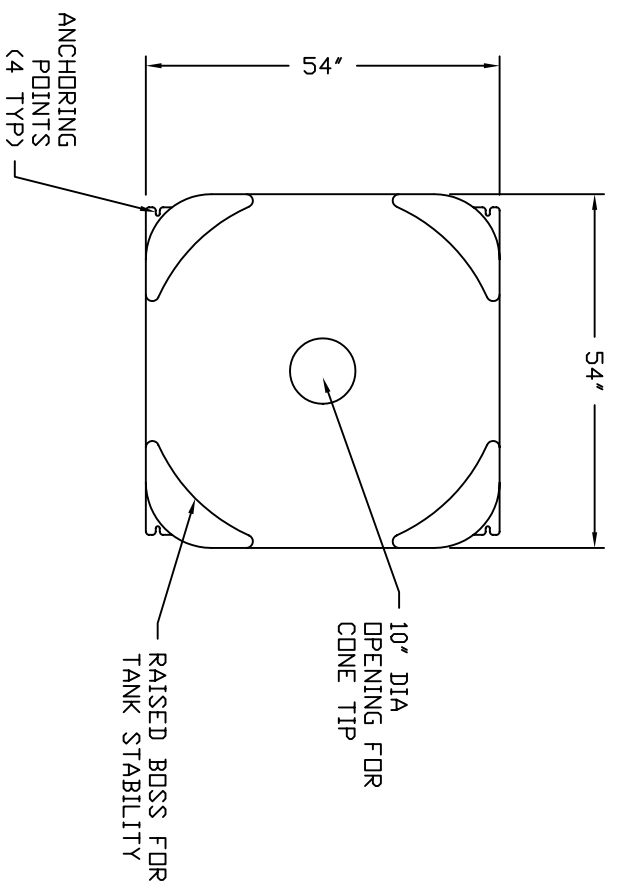
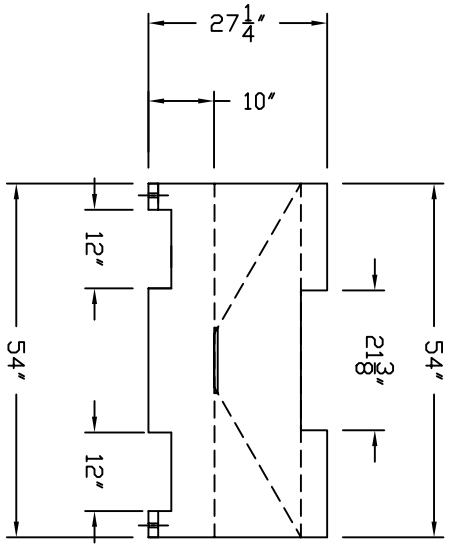


ACCESSORIES		DEG	ELEV	DOME
MK	SIZE	DESCRIPTION		



NOTES:
 1 STAND IS CONSTRUCTED OF POLYETHYLENE
 2 STAND IS FILLED WITH URETHANE FOAM



REV	REVISION DESCRIPTION	REV DATE

ICM Corporation of America
 300 N TAYLOR ROAD
 GARRETT, IN 46728
 PHONE: (260) 337-9181
 FAX: (260) 337-9798

TITLE	ICS 560 FOAM FILLED POLYETHYLENE TANK STAND	RESIN USED	-
DRAWN BY	ROWLISON	TANK WEIGHT	- LBS.
DATE	3-1-05	TANK ORDER	-
DESIGNED BY		DWG NUMBER	ICS 560
CHECKED BY		REV	Ø

ALL DIMENSIONS ARE IN INCHES AND ARE ±3%