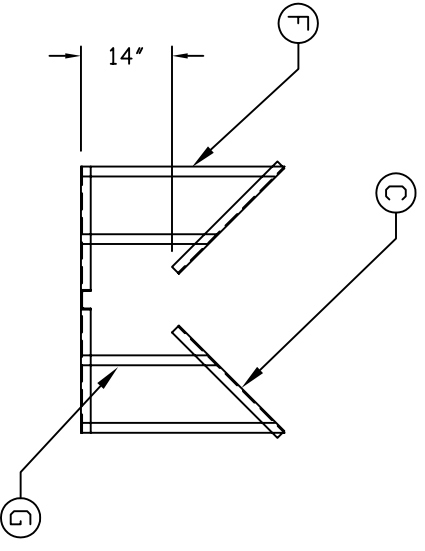
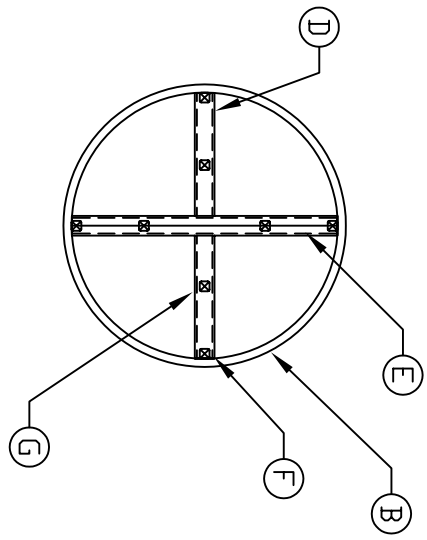
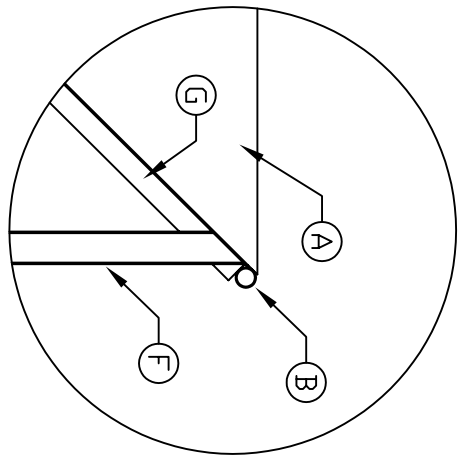
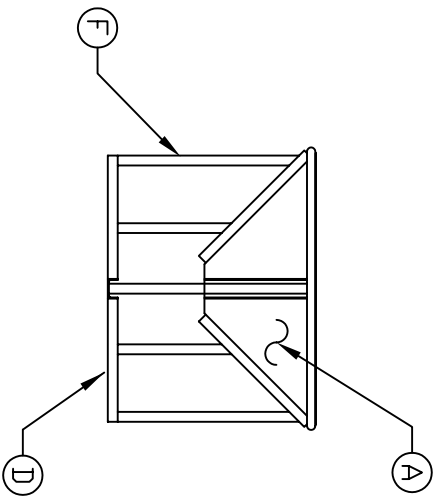


ACCESSORIES


MK	QTY	SIZE	DESCRIPTION
A	1	-	FULL PAN, FORMED FROM 12 GA. SHEET STEEL ROLLED TO A 45° ANGLE W/ 41 1/2" O.D. TOP & 6" DIA. BOTTOM OPENING
B	1	-	SUPPORT RING: 1 1/4" SCH 80 BLACK PIPE ROLLED TO AN 43 1/8" O.D.
C	4	-	TOP SUPPORT: 3' X 4.1' C' CHANNEL 22 3/4" LONG
D	2	-	BOTTOM FOOT PADS: 3' X 4.1' C' CHANNEL 40 1/2" LONG
E	1	-	BOTTOM FOOT PAD: 3' X 4.1' C' CHANNEL 18 3/4" LONG
F	4	-	OUTER LEGS: 2' X 2' X 3/16" BOX TUBE CUT TO A 45° ANGLE LONG SIDE 35"
G	4	-	INNER LEGS: 2' X 2' X 3/16" BOX TUBE CUT TO A 45° ANGLE LONG SIDE 20 1/2"



NOTES:

1. DIMENSIONAL TOLERANCES ARE PLUS OR MINUS 1/2".

REV	DESCRIPTION	REV DATE
B	UPDATED TITLE BLOCK	12/16/08 MG
A	ENLARGED OPENINGS ON BOTTOM OF STAND	9/20/06


Lomacon
 CORPORATION OF AMERICA
 300 N TAYLOR ROAD
 GARRETT, IN 46738
 PHONE: (260) 357-3181
 FAX: (260) 357-3738

SALES ORDER
 DRAWN BY: D. CRAGER
 DRAWN DATE: 8/10/98
 DWG NUMBER: ICS 300
 REV: B

TITLE: ICB 300 GAL. CONICAL
 BOTTOM TANK STAND