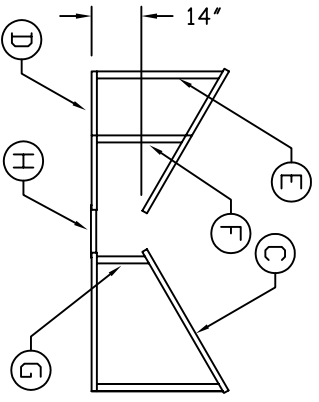
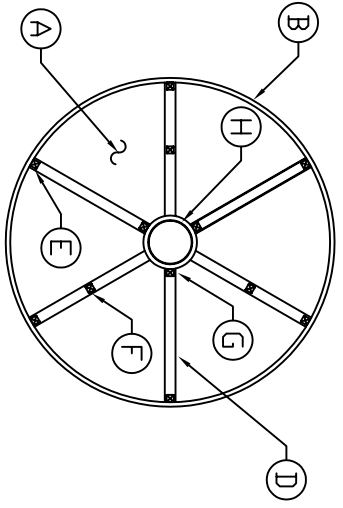
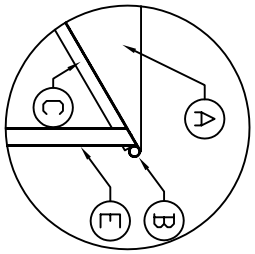
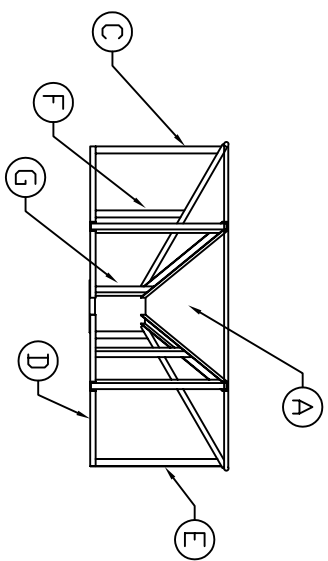


ACCESSORIES

MK	QTY	SIZE	DESCRIPTION
A	1	-	FULL PAN, FORMED FROM 12 GA. SHEET STEEL ROLLED TO A 30° ANGLE WITH 90° DIA. TOP AND 10° DIA. BOTTOM OPENING.
B	1	-	SUPPORT RING: 1 1/4" SCH 80 BLACK PIPE ROLLED TO AN 92° I.D.
C	6	-	TOP SUPPORT: 3" X 4.1" C' CHANNEL 45 1/2" LONG
D	6	-	BOTTOM FOOT PAD: 3" X 4.1" C' CHANNEL 27 1/2" LONG
E	6	-	OUTER LEGS: 2" X 2" X 3/16" BOX TUBE CUT TO A 30° ANGLE 38 1/4" LONG SIDE
F	3	-	MIDDLE LEGS: 2" X 2" X 3/16" BOX TUBE CUT TO A 30° ANGLE 28" LONG SIDE
G	3	-	INSIDE LEGS: 2" X 2" X 3/16" BOX TUBE CUT TO A 30° ANGLE 17 3/4" LONG SIDE
H	1	-	BOTTOM RING: 1 1/2" X 1 1/2" X 1/4" ANGLE IRON ROLLED LEG CUT 12" I.D.



NOTES:

1. DIMENSIONAL TOLERANCES ARE PLUS OR MINUS 1/2".

REV	A	UPDATED TITLE BLOCK	12/22/08	MG
REV		REVISION DESCRIPTION	REV	DATE
TITLE: ICB 3000 GAL. CONICAL BOTTOM TANK STAND				
SALES ORDER				
300 N TAYLOR ROAD GARRETT, IN 46738 PHONE: (260) 357-3181 FAX: (260) 357-3738				
DRAWN BY: D. CRAGER DATE: 11/29/95				
DWG NUMBER: ICS 3000				
REV: A				