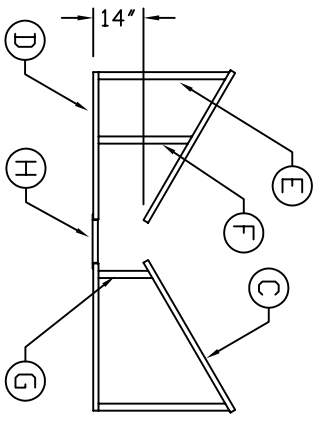
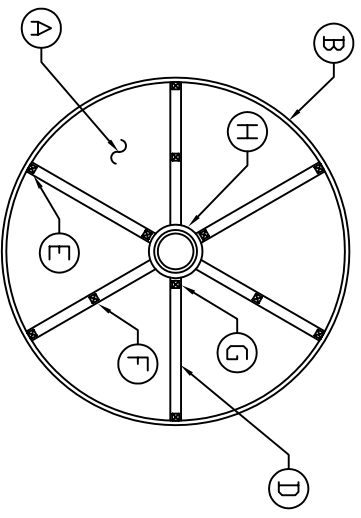
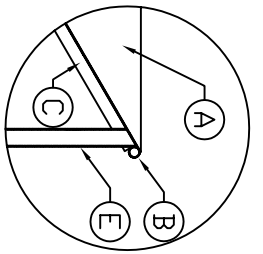
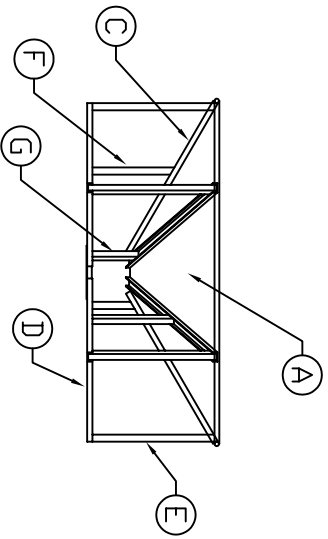


ACCESSORIES

MK	QTY	SIZE	DESCRIPTION
A	1	-	FULL PAN, FORMED FROM 12 GA. SHEET STEEL, ROLLED TO A 30° ANGLE WITH 96" DIA. TOP AND 10" DIA. BOTTOM OPENING
B	1	-	SUPPORT RING: 1 1/4" SCH 80 BLACK PIPE ROLLED TO AN 98° D.D.
C	6	-	TOP SUPPORT: 3' X 4.1" C' CHANNEL 48 1/2" LONG
D	6	-	BOTTOM FOOT PAD: 3' X 4.1" C' CHANNEL 41 1/4" LONG
E	6	-	OUTER LEGS: 2' X 2' X 3/16" BOX TUBE CUT TO A 30° ANGLE 56 1/2" LONG SIDE
F	3	-	MIDDLE LEGS: 2' X 2' X 3/16" BOX TUBE CUT TO A 30° ANGLE 39" LONG SIDE
G	3	-	INSIDE LEGS: 2' X 2' X 3/16" BOX TUBE CUT TO A 30° ANGLE 21 1/2" LONG SIDE
H	1	-	BOTTOM RING: 1 1/2" X 1 1/2" X 1/4" ANGLE IRON ROLLED LEG CUT 12" I.D.



NOTES:

1. DIMENSIONAL TOLERANCES ARE PLUS OR MINUS 1/2".

REV	DESCRIPTION	DATE
A	UPDATED TITLE BLOCK	12/22/08 MG

		SALES ORDER	
300 N TAYLOR ROAD GARRETT, IN 46738 PHONE: (260) 357-3181 FAX: (260) 357-3738		DRAWN BY: D. CRAIGER CHECK DATE: 11/29/95	
TITLE: ICB 4200 GAL. CONICAL BOTTOM TANK STAND		DWG NUMBER: ICS 4200	
REV: A		REV DATE:	