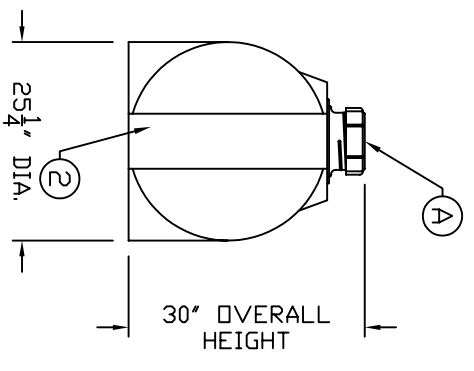
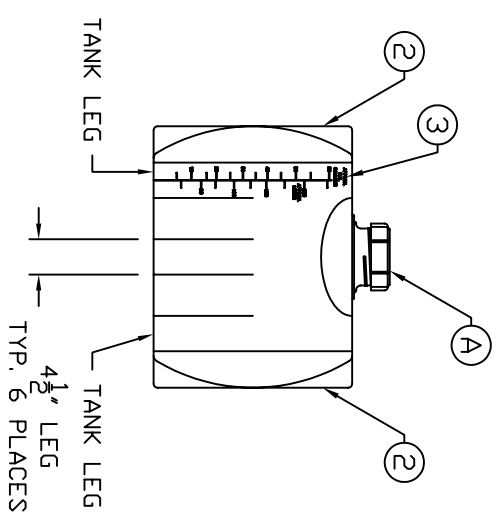
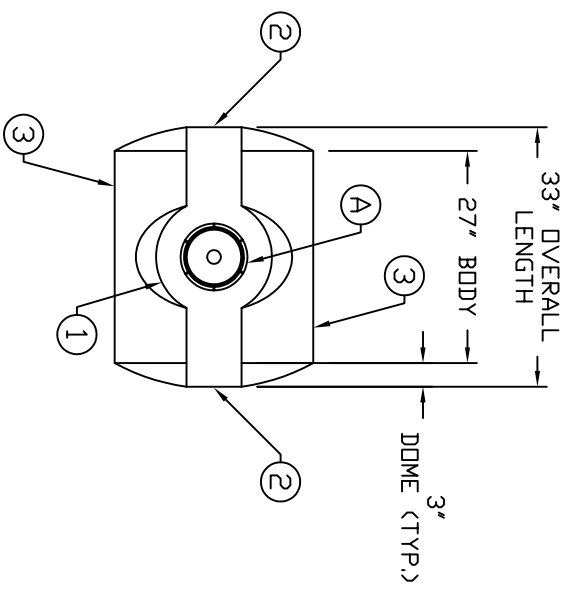


ACCESSORIES					
MK	SIZE	DESCRIPTION	DEG	ELEV	DOME
A	7'	ACCESS W/ THREADED COVER	CL	-	X



- NOTES:
1. 15" DIA. MANWAY BOSS
 2. 7" WINDE END FLAT
 3. MOLDED IN VOLUME MARKER

REV	REVISION DESCRIPTION	REV DATE
C	UPDATED TITLE BLOCK	1/20/09 MG
B	ADDED MOLDED IN VOLUME MARKER & REVISED MANWAY ACCESS	9/29/06
A		6/5/95

Resin Used: POLYETHYLENE
Company: Ica Lommur CORPORATION OF AMERICA
 300 N TAYLOR ROAD GARRETT, IN 46728
 PHONE: (260) 387-3181 FAX: (260) 387-3728
Title: IHFS 55 GAL. CYLINDRICAL FREE STANDING HORIZONTAL STOR. TANK
Material: POLYETHYLENE
Weight: - LBS.
Order: -
DWG NUMBER: IHFS 55
REV: C

ALL DIMENSIONS ARE IN INCHES AND ARE ±3%