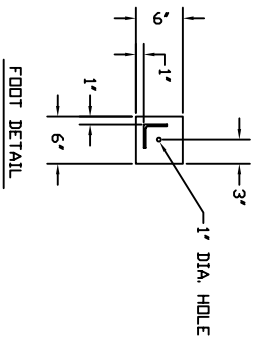
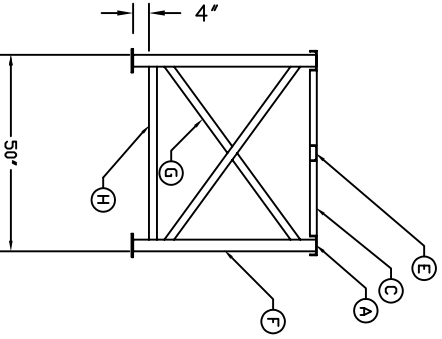
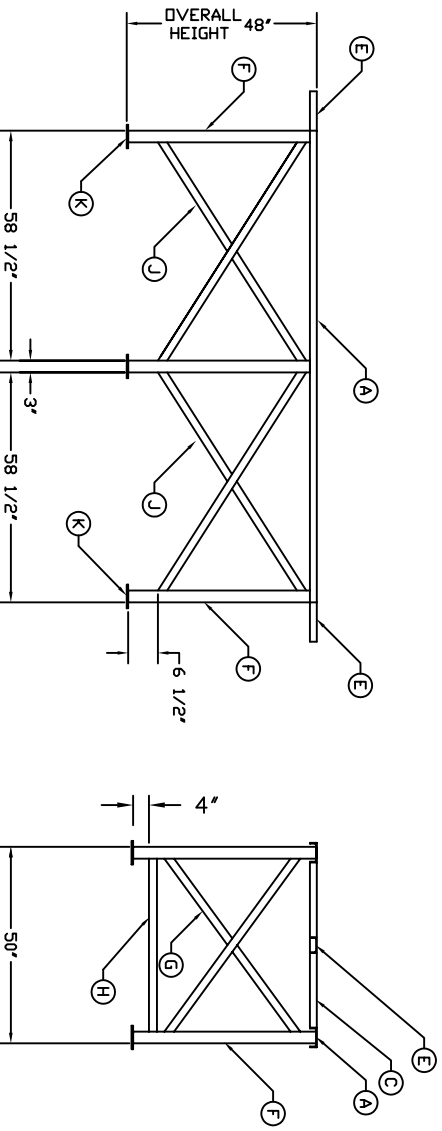
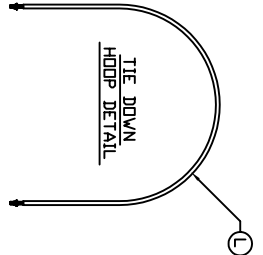
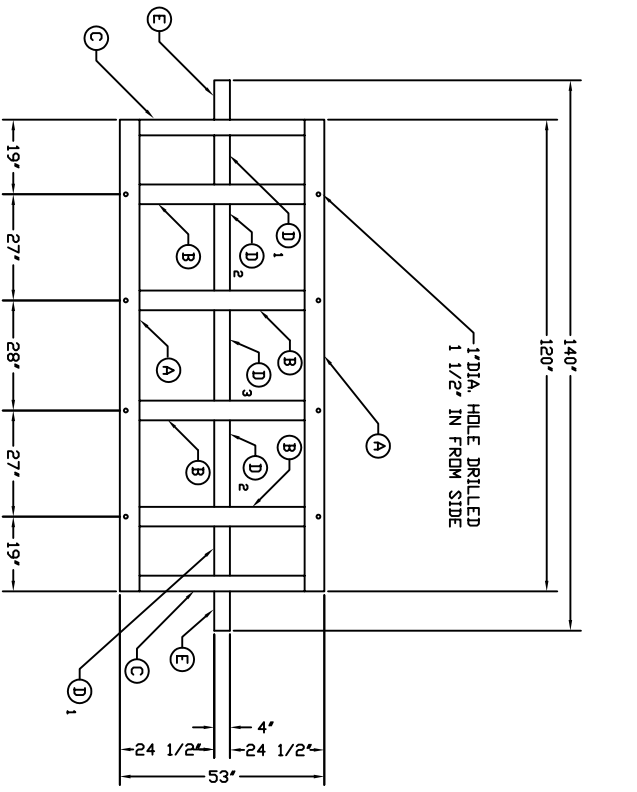



ACCESSORIES

MK	QTY	SIZE	DESCRIPTION
A	2	-	MAIN RUNNERS: 120' X 5' - 6.7# 'C' CHANNEL WITH 1' DIA. HOLES DRILLED AT 19', 46', 74' & 101' CL-CL 1 1/2' IN FROM SIDE
B	4	-	CENTER CROSS MEMBERS: 43' X 5' - 6.7# 'C' CHANNEL
C	2	-	END CROSS MEMBERS: 43' X 4' - 5.4# 'C' CHANNEL
D1	2	-	CENTER SUPPORTS: 12 1/2' X 4' - 5.4# 'C' CHANNEL
D2	2	-	CENTER SUPPORTS: 22' X 4' - 5.4# 'C' CHANNEL
D3	1	-	CENTER SUPPORTS: 23' X 4' - 5.4# 'C' CHANNEL
E	2	-	END SUPPORTS: 10' X 4' - 5.4# 'C' CHANNEL
F	6	-	LEGS: 48' X 3' X 3' X 1/4' ANGLE IRON
G	6	-	END 'X' BRACES: 59' X 2' X 1/4' FLAT STOCK
H	3	-	TIE BRACES: 48' X 2' X 1/4' FLAT STOCK
J	8	-	SIDE 'X' BRACES: 69 3/4' X 2' X 1/4' FLAT STOCK
K	6	-	FEET: 6' X 6' X 3/8' STEEL PLATE (SEE DETAIL)
L	4	-	TIE DOWN HODPS: 120' X 3/4" LD. X 1" O.D. PIPE ROLLED TO A 47' DIA. (2) 23 1/2" LEGS INSERT & WELDED INTO EACH END (1) 6' X 3/4" THREADED ROD



REV	DESCRIPTION	DATE
A	UPDATED TITLE BLOCK	1/15/09 MG


**Lommar**  
 CORPORATION OF AMERICA  
 300 N TAYLOR ROAD  
 GARRETT, IN 46738  
 PHONE: (260) 357-3181  
 FAX: (260) 357-3738  
 TITLE: IHT 1000 GAL. ELEVATED HORIZONTAL TANK STAND 48" HIGH  
 SALES ORDER  
 1/15/09 MG  
 REV DATE  
 DWG NUMBER: IHS 1048  
 REV: A