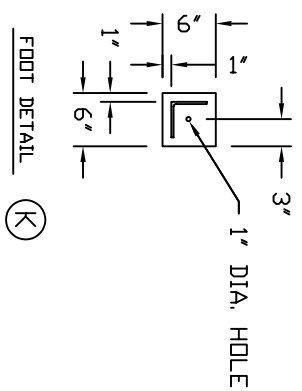
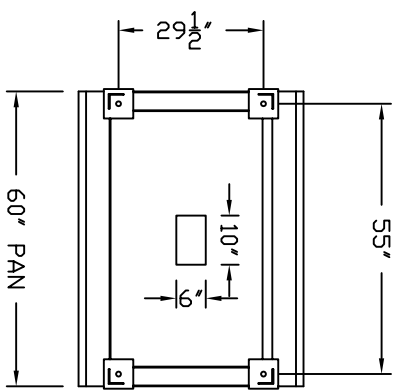
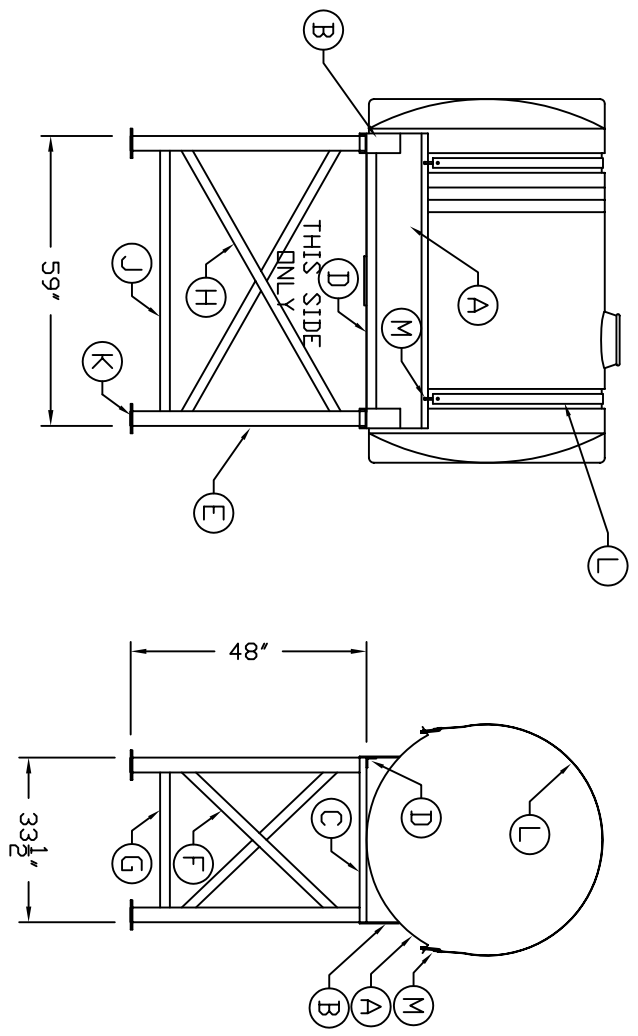


ACCESSORIES

MK	QTY	SIZE	DESCRIPTION
A	1	-	PAN: 52" X 60" TO BE FORMED FROM 12 GA. SHEET STEEL & ROLLED TO A 38" DIA. WITH (2 EA) 2" 90° BENDS EACH SIDE
B	4	-	SIDE BRACES: 4" X 8 1/4" X 3/16" FLAT STOCK
C	2	-	SADDLE SUPPRTS: 33 1/2" - 4" X 2" X 5/4" # C CHANNEL
D	1	-	FILL LINE BRACKET: 60" - 2" X 2" X 3/16" ANGLE IRON
E	4	-	LEGS: 47 1/2" X 3" X 3" X 1/4" ANGLE IRON
F	4	-	END "X" BRACES: 42 1/2" X 2" X 1/4" FLAT STOCK
G	2	-	END TIE BRACES: 32" X 2" X 1/4" FLAT STOCK
H	4	-	SIDE "X" BRACES: 64" X 2" X 1/4" FLAT STOCK
J	2	-	SIDE TIE BRACES: 58" X 2" X 1/4" FLAT STOCK
K	4	-	FEET: 6" X 6" X 3/8" STEEL PLATE (SEE DETAIL)
L	2	-	TIE DOWN BANDS: 96" - 2" 316 SS BANDING MATERIAL WITH (2 EA) 1/2" HOLES 1" IN FROM EACH END
M	4	-	3/8" X 5" "J" BOLT



FOOT DETAIL (K)

REV	DESCRIPTION	DATE
A	UPDATED TITLE BLOCK	1/15/09 MG

Lorann CORPORATION OF AMERICA

300 N TAYLOR ROAD
 GARRETT, IN 46738
 PHONE: (260) 357-3181
 FAX: (260) 357-3738

SALES ORDER: 2/08/94
 DRAWN BY: D. CRAGER
 DATE: 2/08/94

TITLE: IHT 550 GAL. ELEVATED HORIZONTAL TANK STAND
 DWG NUMBER: IHS 548
 REV: A