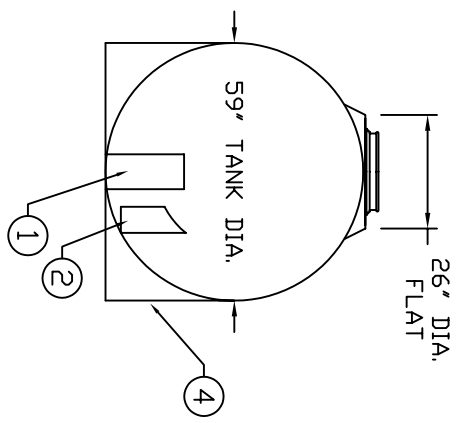
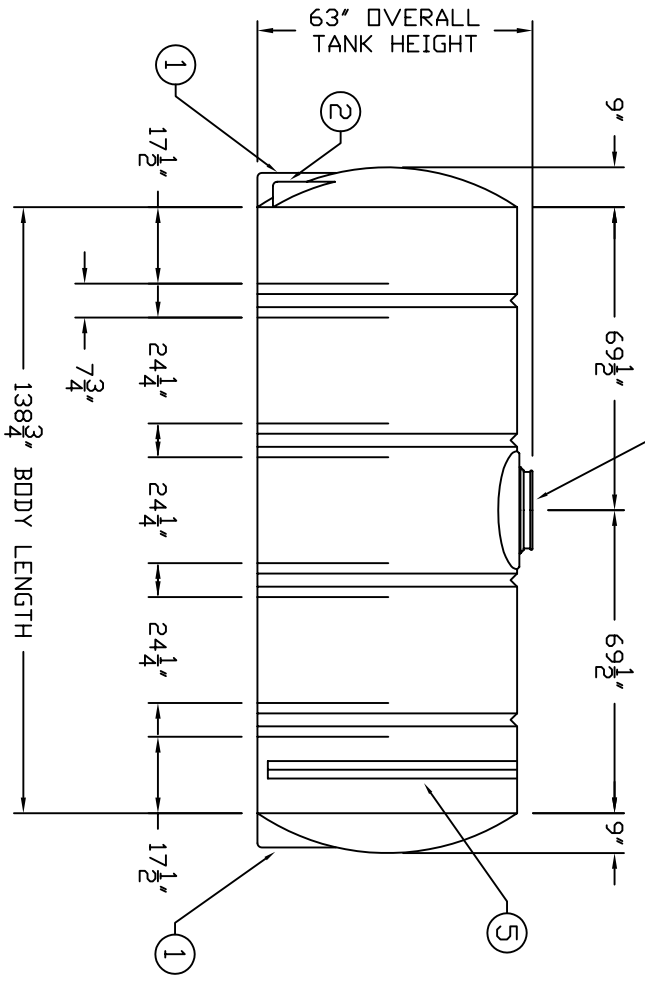
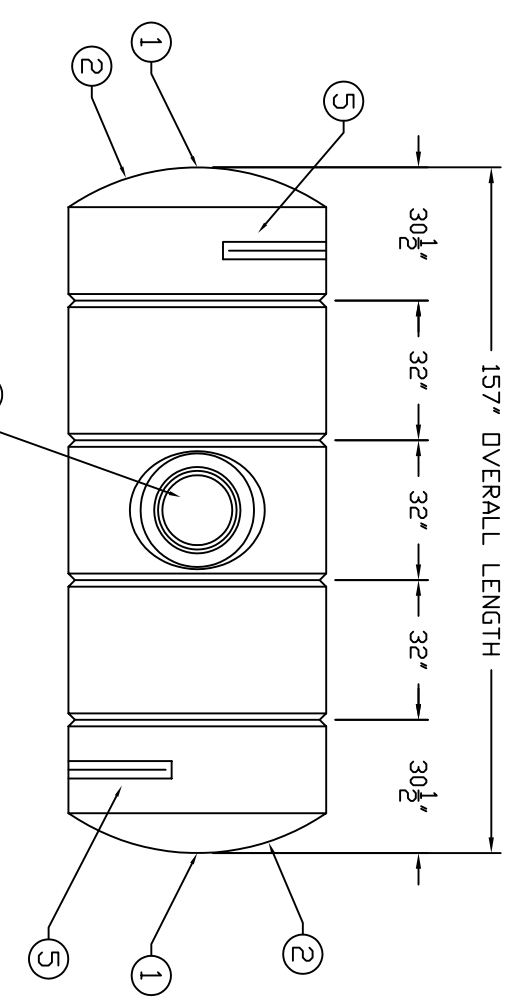


ACCESSORIES					
MK	SIZE	DESCRIPTION	DEG	ELEV	DOME
A	16"	MANWAY W/ LEVER LOCKING COVER	CL	-	X



- NOTES:
1. MAIN FLAT SPOT (2 PLACES)
 2. SPARGE LINE FLAT (2 PLACES)
 3. TIE DOWN GROOVES (4 PLACES)
 4. MOLDED IN LEGS (8 PLACES)
 5. VOLUME MARKER (2 PLACES)

B	1	REMOVED BAFFLES FROM THE TANK.	7/1/10dam
A		UPDATED TITLE BLOCK	1/13/09 MG
REV		REVISION DESCRIPTION	REV DATE

		300 N TAYLOR ROAD GARRETT, IN 46728 PHONE: (260) 357-3181 FAX: (260) 357-3728	
TITLE: IHT 1650 GAL. CYLINDRICAL HORIZONTAL STORAGE TANK		POLYETHYLENE TANK RESISTED SPECIFIC GRAVITY - SP.G. MAX - LBS.	
DRAWN BY: D. CRANER	REVISION DATE: 3/25/93	SALES ORDER#	DWG NUMBER: IHT 1650
ALL DIMENSIONS ARE IN INCHES AND ARE ±3%			RESIN USED: - TANK ORDER: - REV: A