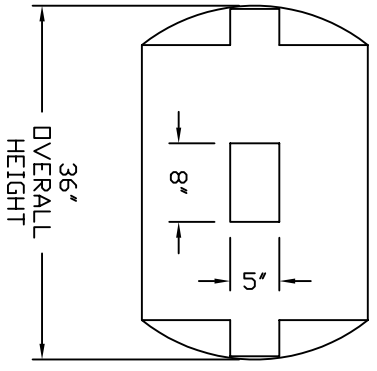
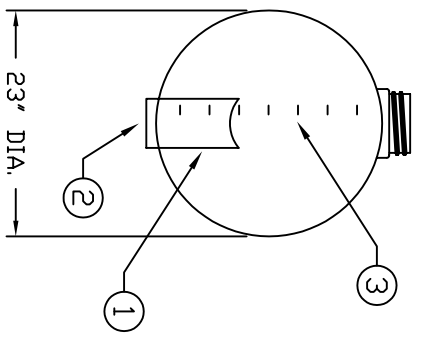
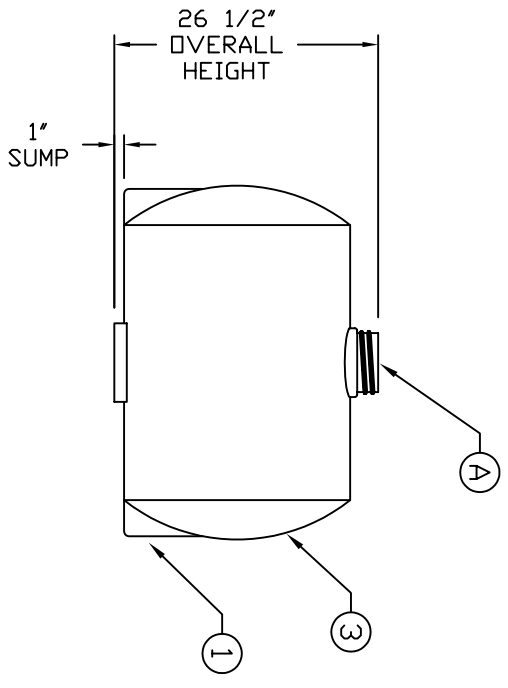
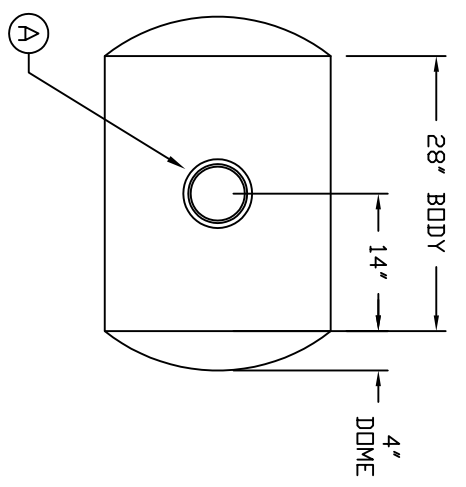


ACCESSORIES					
MK	SIZE	DESCRIPTION	DEG	ELEV	DOME
A	6'	ACCESS W/ THREADED COVER	CL	-	X



- NOTES:
1. 5" X 8" END FLAT SPOT (2 PLACES)
 2. 5" X 8" X 1" DEEP BOTTOM SUMP
 3. MOLDED IN VOLUME MARKER

REV	DESCRIPTION	DATE
A	UPDATED TITLE BLOCK	1/5/09 MG
	REVISION DESCRIPTION	REV DATE

Loamur
CORPORATION OF AMERICA

300 N TAYLOR ROAD
GARRETT, IN 46728
PHONE: (260) 337-9181
FAX: (260) 337-3728

TITLE: IHT 55 GAL. CYLINDRICAL
HORIZONTAL STORAGE TANK

DATE: 3/28/93
DRAWN BY: D. CRAIGER
SCALE: 1/8" = 1'-0"

TANK WEIGHT: - LBS.
TANK CAPACITY: - SP.G. MAX
RESIN USED: POLYETHYLENE

ALL DIMENSIONS ARE IN INCHES AND ARE ±3%

DWG NUMBER: IHT 55 A