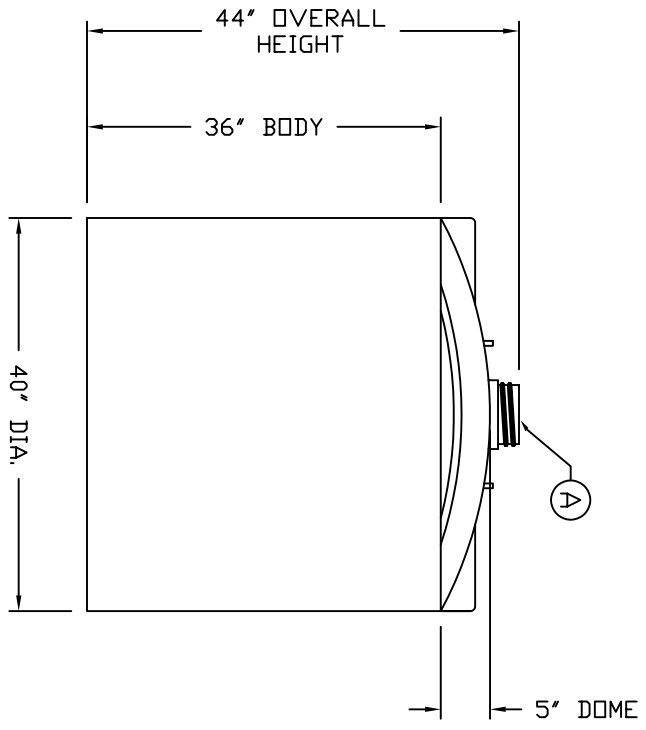
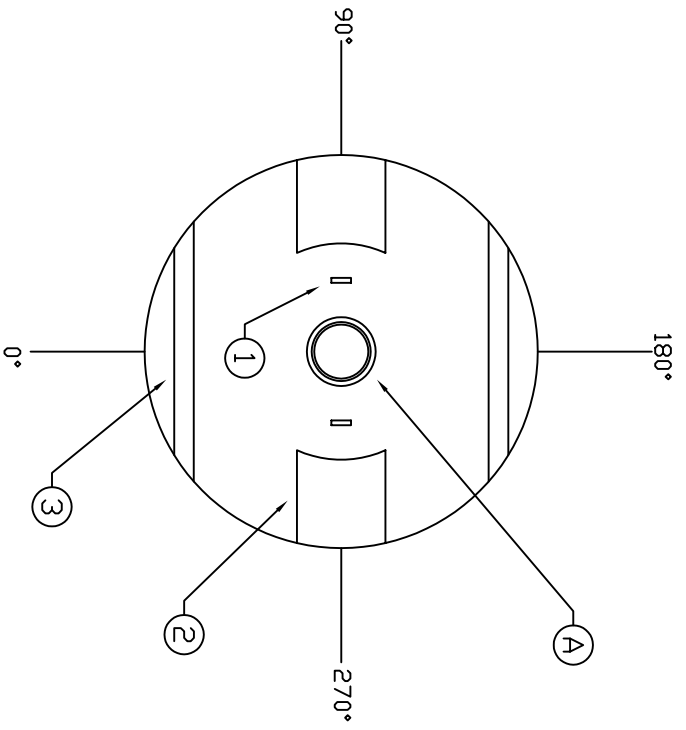


ACCESSORIES					
MK	SIZE	DESCRIPTION	DEG	ELEV	DOME
A	6'	ACCESS W/ THREADED COVER	CL	-	X



- NOTES:
1. TETHER LUGS (2 PLACES)
 2. 9" X 9" DOME FLATS (2 PLACES)
 3. MOLDED IN TIE DOWN GROOVES (2 PLACES)

A	UPDATED TITLE BLOCK	1/21/09 MG
REV	REVISION DESCRIPTION	REV DATE
300 N TAYLOR ROAD GARRETT, IN 46728 PHONE: (260) 337-9181 FAX: (260) 337-9728		
TITLE: IMB 200 GAL. VERTICAL STORAGE OR NON DOT TRANSPORT TANK		
DESIGN BY:	DESIGN DATE:	SALES ORDER:
	3/27/93	
RESIN USED: POLYETHYLENE TANK RESIN: - TANK WEIGHT: - LBS. SPECIFIC GRAVITY: - S.P.G. MAX		
DWG NUMBER: IMB 200		REV: A

ALL DIMENSIONS ARE IN INCHES AND ARE ±3%