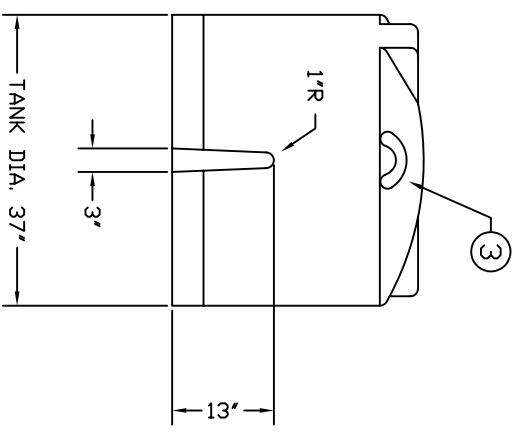
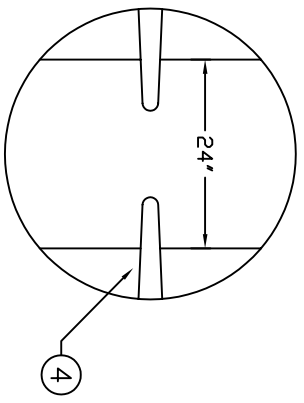
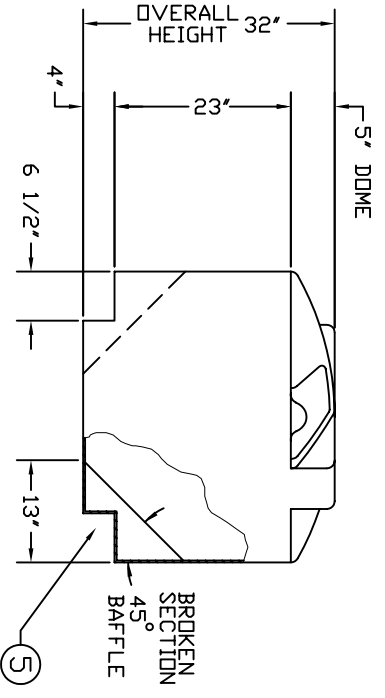
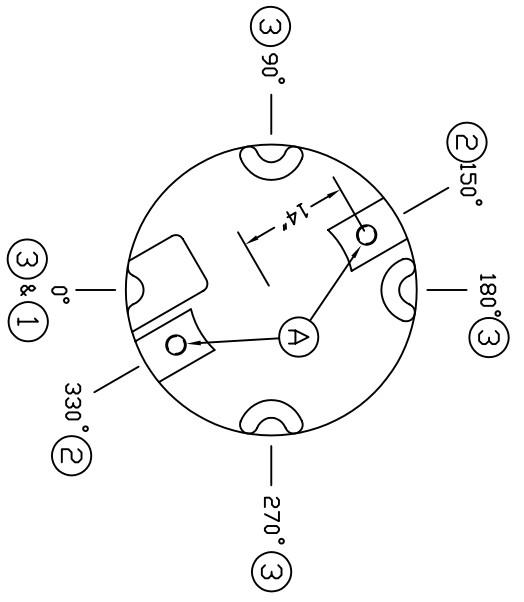


ACCESSORIES					
MK	SIZE	DESCRIPTION	DEG	ELEV	DOME
A	2'	THREADED HOLES 1' DEEP	SEE	DRWG	X



- NOTES:
1. 8" X 7" PUMP ACCESS FLAT
  2. 6" X 8" RAISED FLAT (2 PLACES)
  3. TIEDOWN (4 PLACES)
  4. BAFFLES (2 PLACES)
  5. FORKLIFT ACCESS

A	UPDATED TITLE BLOCK	1/26/09 MG
REV	REVISION DESCRIPTION	REV DATE
TITLE: IMD 110 GAL. VERTICAL STORAGE OR NON DOT TRANSPORT TANK		
300 N TAYLOR ROAD GARRETT, IN 46728 PHONE: (260) 337-3181 FAX: (260) 337-3728		
POLYETHYLENE TANK RESISTED SPECIFIC GRAVITY - SP.G. MAX WEIGHT - LBS.		
DRAWN BY: 4/01/98 SALES ENGINEER		
DWG NUMBER: IMD 110 REV: A		

ALL DIMENSIONS ARE IN INCHES AND ARE ±3%