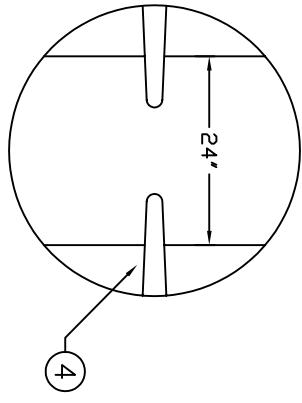
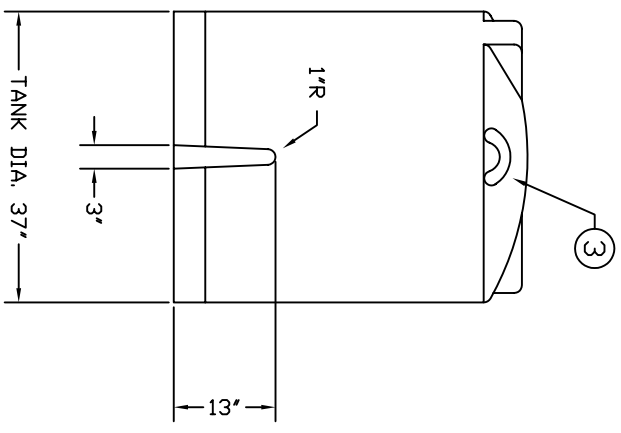
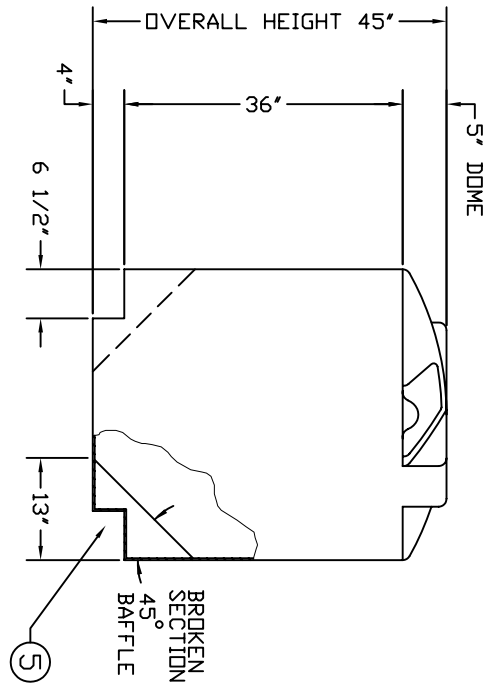
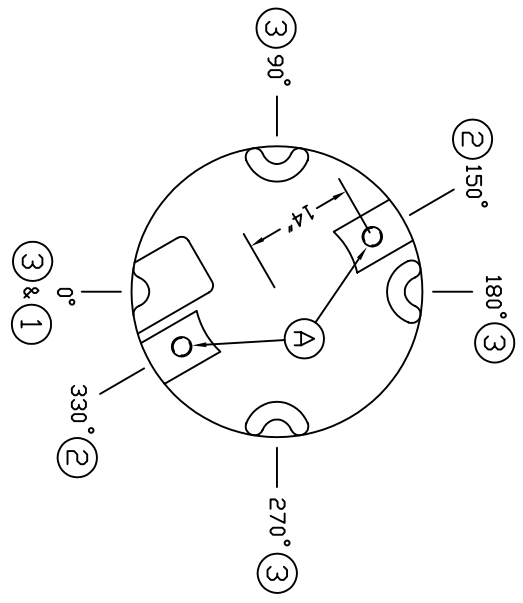


ACCESSORIES

MK	SIZE	DESCRIPTION	DEG	ELEV	DOME
A	2'	THREADED HOLES 1' DEEP	SEE	DRWG	X



- NOTES:
1. 8" X 7" PUMP ACCESS FLAT
 2. 6" X 8" RAISED FLAT (2 PLACES)
 3. TIEDOWN (4 PLACES)
 4. BAFFLES (2 PLACES)
 5. FORKLIFT ACCESS

REV	UPDATED TITLE	BLCK	1/26/09	MG
A	REVISED DESCRIPTION		REV DATE	

Loamium
CORPORATION OF AMERICA
300 N TAYLOR ROAD
GARRETT, IN 46728
PHONE: (560) 357-9181
FAX: (560) 357-3728

TITLE: IMD 175 GAL. VERTICAL STORAGE
DR NON DOT TRANSPORT TANK
TANK RESIN: POLYETHYLENE
SPECIFIC GRAVITY: -
SP.G. MAX: - LBS.TANK WEIGHT: -
TANK CENTER: -

DESIGN DATE	4/01/98	SALES ORDER	
DESIGN BY		DWG NUMBER	IMD175
		REV	A

ALL DIMENSIONS ARE IN INCHES AND ARE ±3%