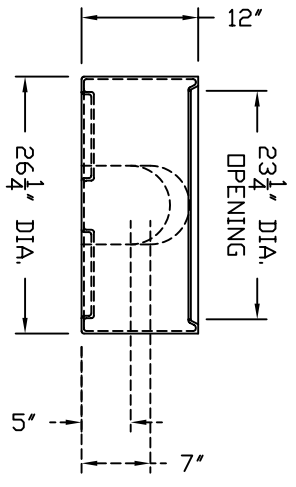
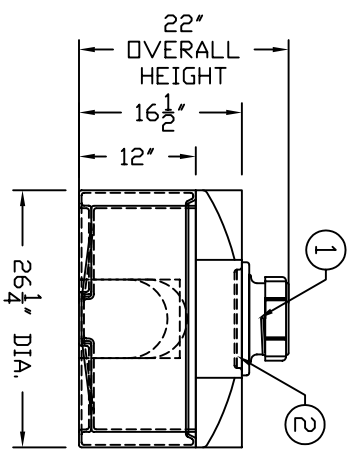
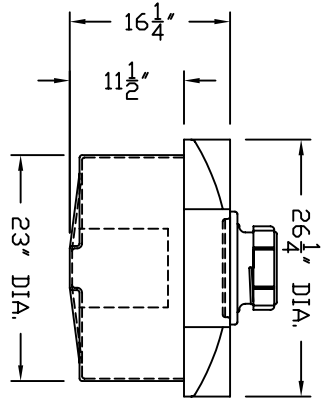
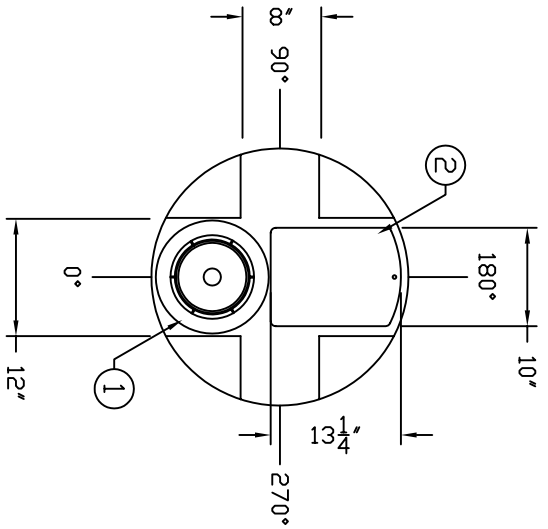


ACCESSORIES			
MK	SIZE	DESCRIPTION	DEG ELEV DOME



- NOTES:
- 1 7" ACCESS W/ THREADED LID AND RIM
 - 2 MOLDED IN PUMP SHELF
 - 3 PRIMARY CALCULATED GALLONS PER INCH: 1.743 GPI
 - 4 CALCULATED STRAIGHT SIDE CAPACITY: 18,081 GAL.
 - 5 SECONDARY CALCULATED GALLONS PER INCH: 2,257 GPI
 - 6 CALCULATED STRAIGHT SIDE CAPACITY: 21,722 GAL.

REV	A	TURNUED THE TANK 180° SO THE ACCESS IS AT 0°	6/11/08 MG
REV		REVISION DESCRIPTION	REV DATE

		300 N TAYLOR ROAD GARRETT IN 46738 PHONE: (860) 357-3181 FAX: (860) 357-3738	
CORPORATION OF AMERICA		CUSTOMER APPROVAL DATE: 10/22/03	
PRIMARY VESSEL	SPECIFIC GRAVITY	SP.G. MAX	-LBS.
POLYETHYLENE	-	-	-
TANK WEIGHT	TANK COLOR	-	-
-	-	-	-
SECONDARY VESSEL	SPECIFIC GRAVITY	SP.G. MAX	-LBS.
POLYETHYLENE	-	-	-
TANK WEIGHT	TANK COLOR	-	-
-	-	-	-
TITLE: IMT 20 GAL. DOUBLE WALL STORAGE TANK		DRAWN BY: D. MYERS DWG NUMBER: IMT 20 A	
ALL DIMENSIONS ARE IN INCHES AND ARE ±3%		REV DATE: 10/22/03	