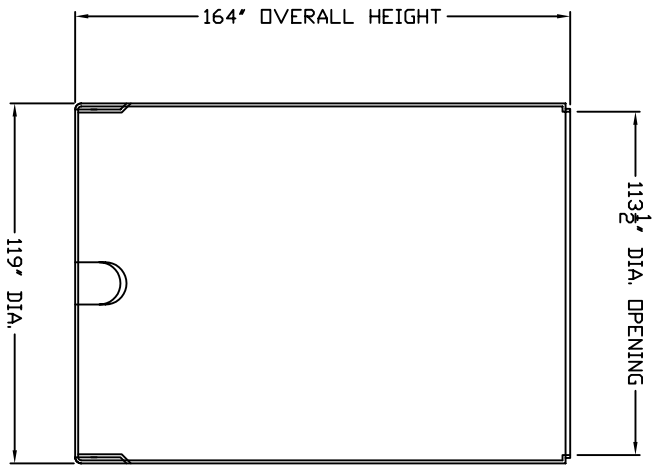
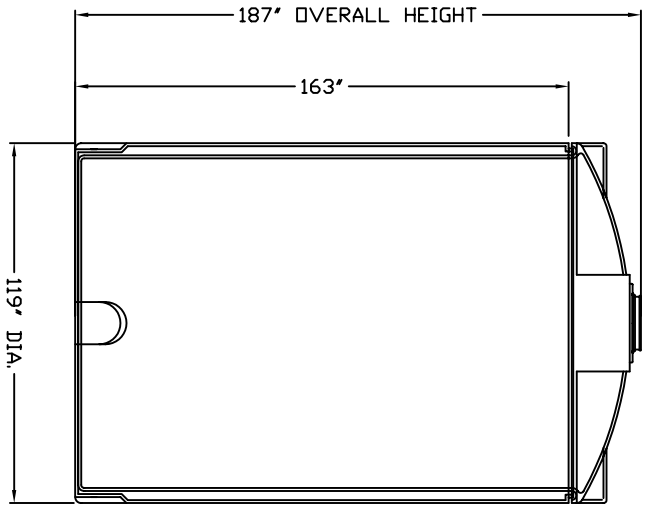
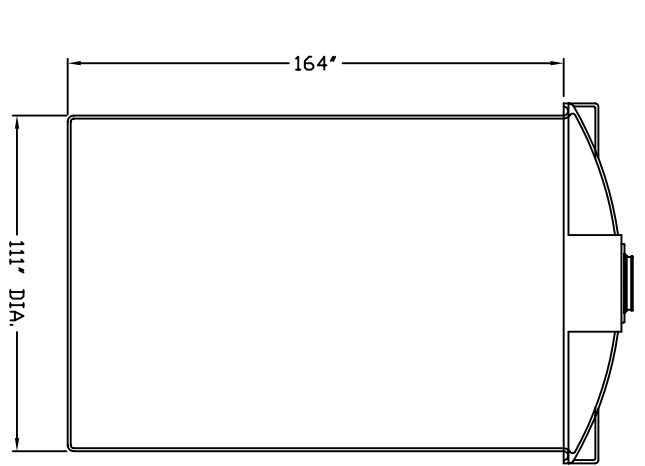
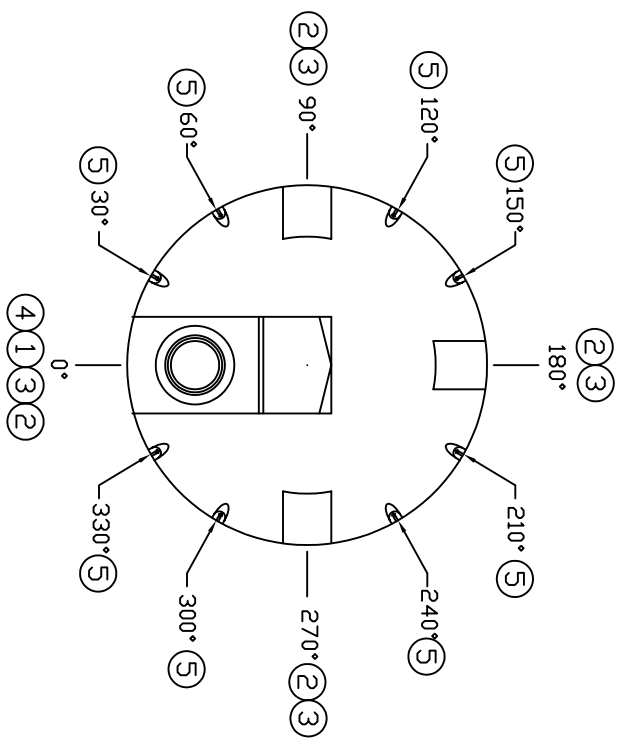
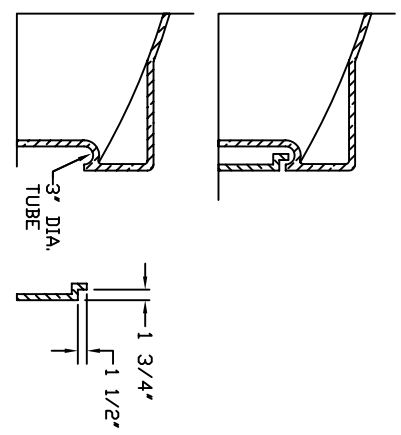


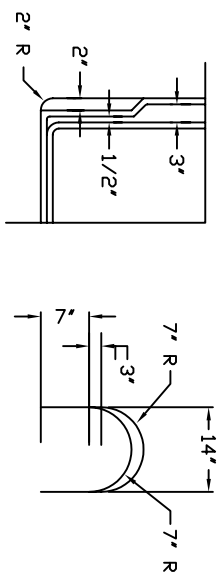
MK	SIZE	DESCRIPTION	DEG	ELEV	DOME
		ACCESSORIES			



LIP DETAIL



LOWER FLAT SPOT DTL.



- NOTES:
- 16" LEVER LOCKING MANWAY
 - LOWER FLAT SPOT (4 PLACES)
 - 16' X 17' DOME FLAT SPOTS (3 PLACES)
 - 32' X 52' MANWAY FLAT
 - LIFTING LUG ASSEMBLY (8 PLACES)

REV	DESCRIPTION	REV DATE
B	CORRECTED DOME FLAT DIMENSIONS	10/10/12 MG
A	INSERTED A NEW TITLE BLOCK	06/12/08 MG
	REVISION DESCRIPTION	

Ice Armament
CORPORATION OF AMERICA
300 N TAYLOR ROAD
GARRETT, IN 46738
PHONE: (260) 357-3181
FAX: (260) 357-3738

PRIMARY VESSEL	SPECIFIC GRAVITY	SP.G. MAX	SECONDARY VESSEL	SPECIFIC GRAVITY	SP.G. MAX
POLYETHYLENE	-	- LBS.	POLYETHYLENE	-	- LBS.

TITLE	IMT 6550	DRAWN BY	D. CRAGER	ISSUE DATE	12/29/97
	DOUBLE WALL STORAGE TANK	DWG NUMBER	IMT 6550	REV	B
ALL DIMENSIONS ARE IN INCHES AND ARE ±3%					