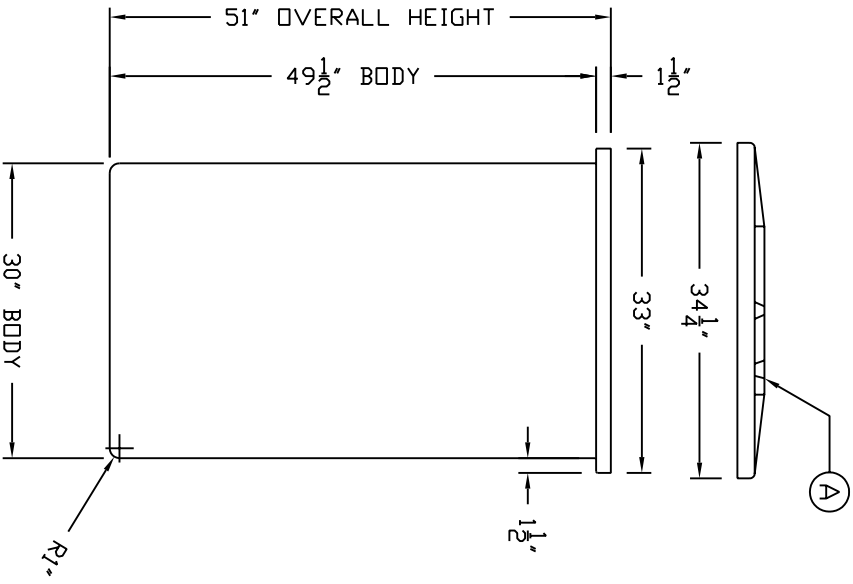


LID DESIGN



ACCESSORIES			
MK	SIZE	DESCRIPTION	DEG ELEV DOME
A	-	OPEN TOP COVER	- - X

- NOTES:
- 1 LOCATE FITTINGS FROM PLAN VIEW.
 - 2 TANK(S) MUST BE INSTALLED PER ASSMANN CORPORATION USAGE & GUIDELINES.
 - 3 FLEXIBLE EXPANSION JOINTS MUST BE USED ON ALL SIDEWALL CONNECTIONS.
 - 4 TANKS ARE BUILT PER ASTM D 1998.

REV	REVISION DESCRIPTION	REV DATE
A	CHANGE TANK DIMENSIONS, REVISED LID CREATED NEW MOLD, NEW MOLD CREATED 12/15/08	10/31/08 SR

		300 N TAYLOR ROAD CARLETT, IN 46738 PHONE: (260) 337-3181 FAX: (260) 337-3728	
TITLE	10T 150 GALLON CYLINDRICAL OPEN TOP STORAGE TANK	TANK RESISTED SPECIFIC GRAVITY	SP.G. MAX
DESIGNED BY	D. MYERS	TANK WEIGHT	LBS.
ISSUED DATE	10/31/08	DWG NUMBER:	10T 150 A
ASSMANN CORPORATION OF AMERICA		RESIN USED	-
ALL DIMENSIONS ARE IN INCHES AND ARE ±3%		POLYETHYLENE	-