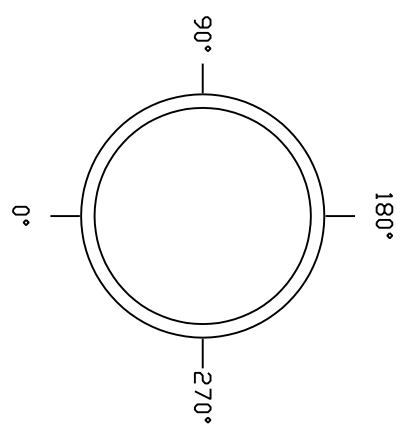


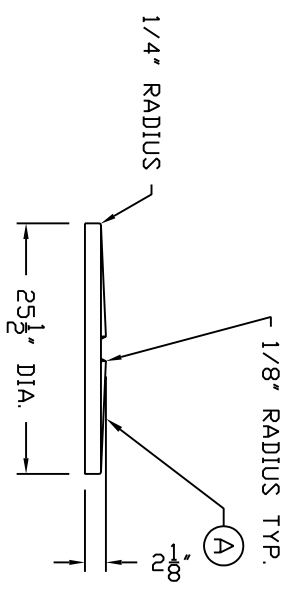
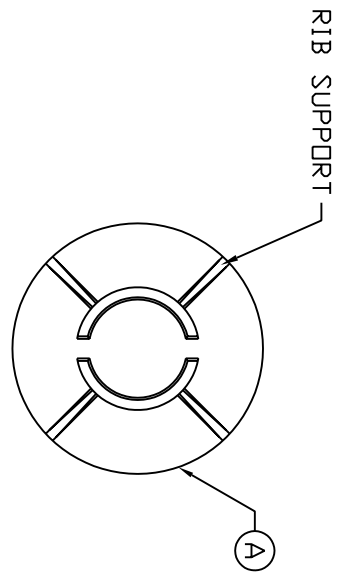
ACCESSORIES

MK	SIZE	DESCRIPTION	DEG	ELEV	DOME
A	-	OPEN TOP TANK COVER	-	-	X

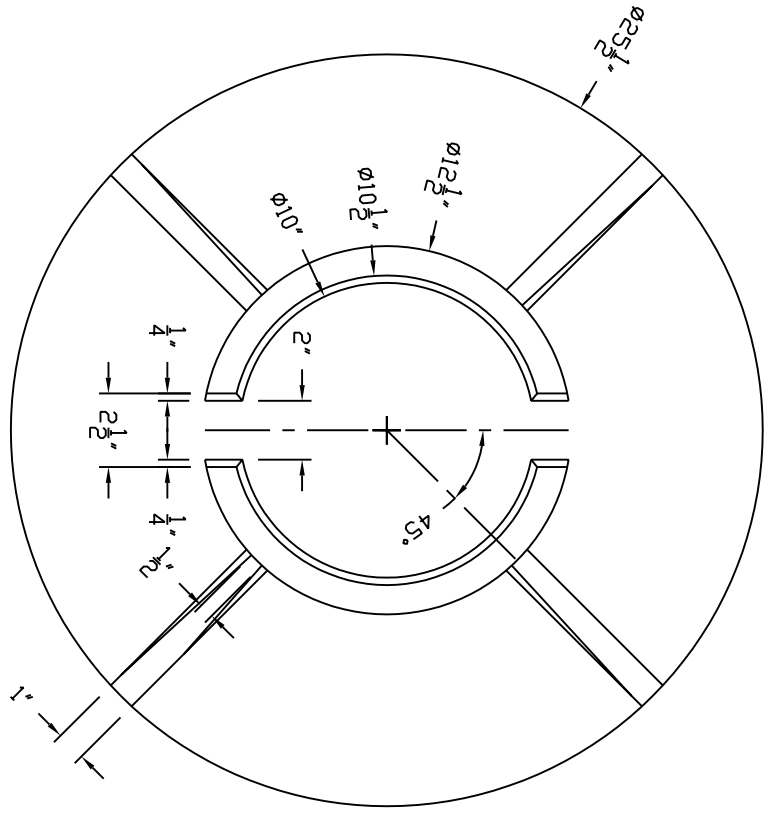
TANK PLAN



LID PLAN



STIFFENER RIB DETAILS



REV	CHANGED SIZE OF TANK UPPER LIP	REVISION DESCRIPTION	REV DATE
A			9-1-09 SR

Assmann Corporation of America

300 N TAYLOR ROAD
GARRETT, IN 46726
PHONE: (260) 337-2181
FAX: (260) 337-3728

RESIN USED: POLYETHYLENE
TANK RESISTED SPECIFIC GRAVITY: - S.P.G. MAX

TITLE	DATE	BY	CHKD	APP'D	REV
DOT 70 GAL. CYLINDRICAL OPEN TOP STORAGE TANK	7/27/09				A

NEW MOLD EFFECTIVE 9/1/09

ALL DIMENSIONS ARE IN INCHES AND ARE ±3%