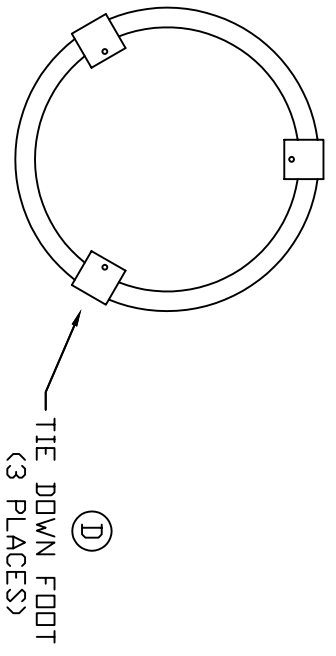
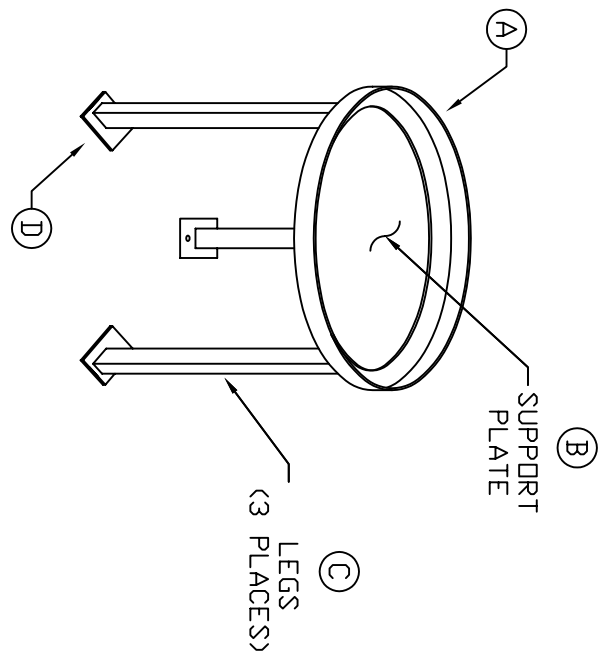
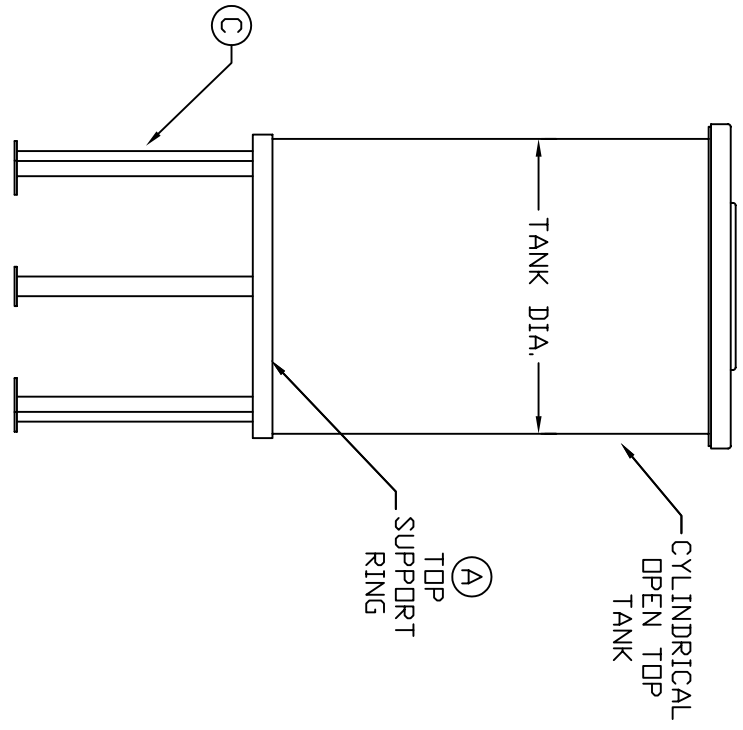


ACCESSORIES

MK	QTY	SIZE	DESCRIPTION
A	1	-	TOP SUPPORT RING, ANGLE IRON RING ROLLED WITH INSIDE DIA. (TANK DIA. + 1")
B	1	-	SUPPORT PLATE; 12 GA. SHEET STEEL CUT WITH AN OUTSIDE DIA. EQUAL TO TANK DIA.
C	3	-	LEGS; 2' X 2' X 3/16" BOX TUBE CUT TO A STD. LENGTH OF 24'
D	3	-	TIE DOWN FOOT; 4' X 4' X 1/4" FLAT STOCK WITH 1 EA. 1/2" DIA. HOLE



REV	A	UPDATED TITLE BLOCK	8/8/09 MG
REV		REVISION DESCRIPTION	REV. DATE
		SALES ORDER	
300 N TAYLOR ROAD GARRETT, IN 46738 PHONE: (260) 357-3181 FAX: (260) 357-3738		ISSUE DATE	
TITLE: OPEN TOP TANK STAND FOR ALL IDT STORAGE TANKS		DWG NUMBER	REV
		2/10/94	A
		IDTS 001	