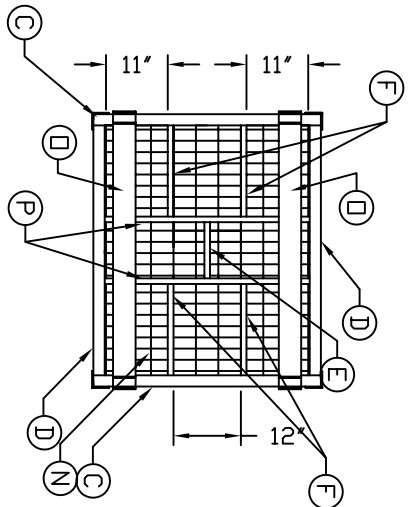
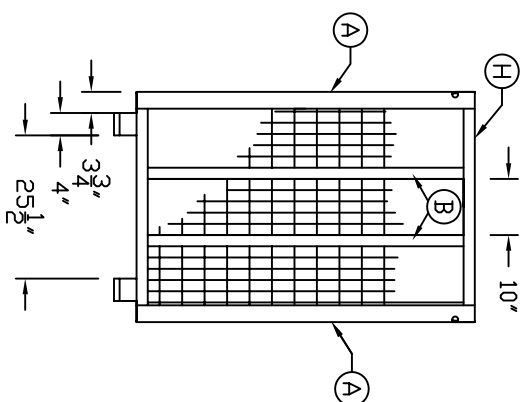
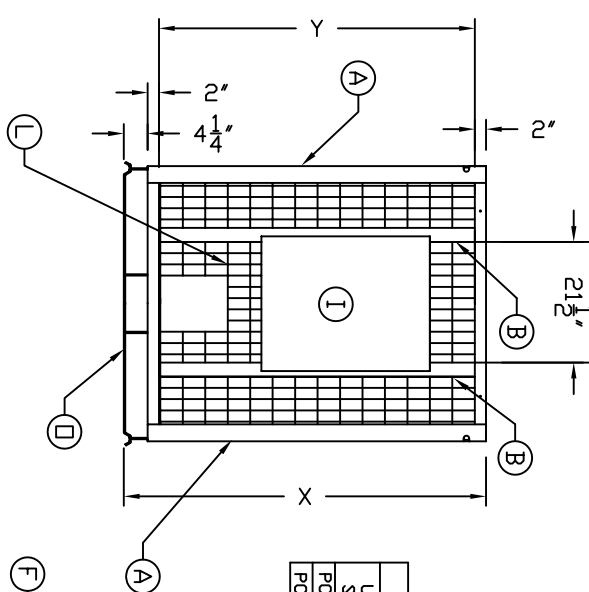
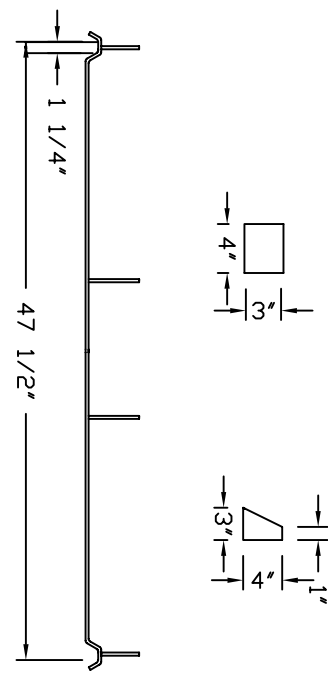


DESIGN DATA		
UNIT SIZE	DIMENSION	
	X	Y
PC 220	49 3/4"	41 1/2"
PC 330	64 3/4"	56 1/2"



ACCESSORIES		
MK	QTY	SIZE DESCRIPTION
A	4	3' X 3' X 3/16" ANGLE IRON 220 - 45 1/2" 330 - 60 1/4"
B	8	1/4" X 2" FLAT STOCK 220 - 41 1/4" 330 - 56 1/4"
C	2	2' X 2" X 11 GA. X 40 1/2" BOX TUBE
D	2	2' X 2" X 11 GA. X 44 1/2" BOX TUBE
E	1	1' X 2" X 11 GA. X 10" BOX TUBE
F	4	1' X 2" X 11 GA. X 16 1/4" BOX TUBE
G	2	1' X 2" X 11 GA. X 46 1/2" BOX TUBE
H	2	1' X 2" X 11 GA. X 40 1/2" BOX TUBE
I	2	24" X 30" X 14GA. SHEEL STEEL
J	2	1/4" X 2" X 42" FLAT STOCK
K	4	1/4" - 20 UNC X 2 1/4" HEX HEAD BOLT W/ HARDWARE
L	2	41 1/4" X 38" 2GA. WELDED WIRE - 220 56 1/4" X 38" 2GA. WELDED WIRE - 330
M	2	41 1/4" X 38" 2GA. WELDED WIRE - 220 56 1/4" X 38" 2GA. WELDED WIRE - 330
N	1	46" X 38" 2GA. WELDED WIRE
O	2	1/4" X 4" X 52" FLAT STOCK - BENT TO STACKING FOOT DVG.
P	1	1' X 2" X 11GA. X 16 1/4" BOX TUBE

STACKING FOOT DETAIL



REV	DESCRIPTION	DATE
A	UPDATED TITLE BLOCK	3/12/09 MG

Loman
 CORPORATION OF AMERICA
 300 N TAYLOR ROAD
 GARETT, IN 46738
 PHONE: (260) 357-3181
 FAX: (260) 357-3738
 TITLE: IPT 220 & 330 GAL.
 PALETT TANK FRAME DETAIL
 SALES ORDER
 DRAWN BY: D. CRAGER
 DRAWN DATE: 9/25/96
 DWG NUMBER: IPT 330-2
 REV: A