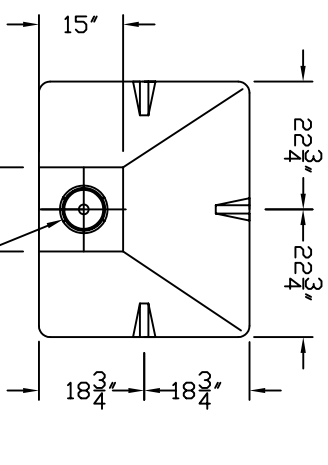
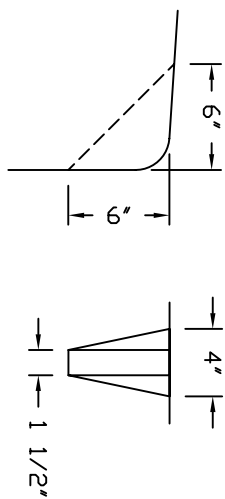
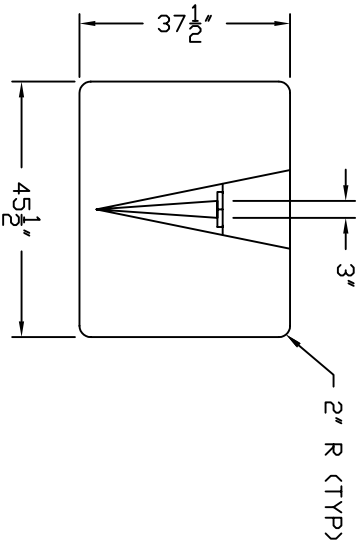
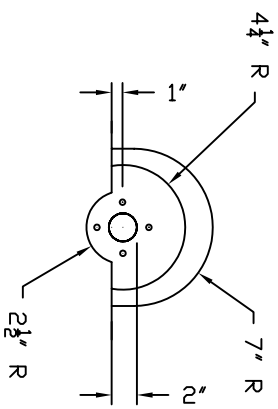
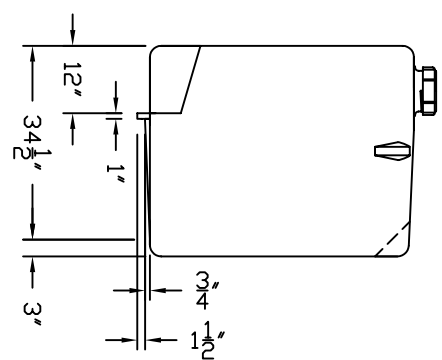
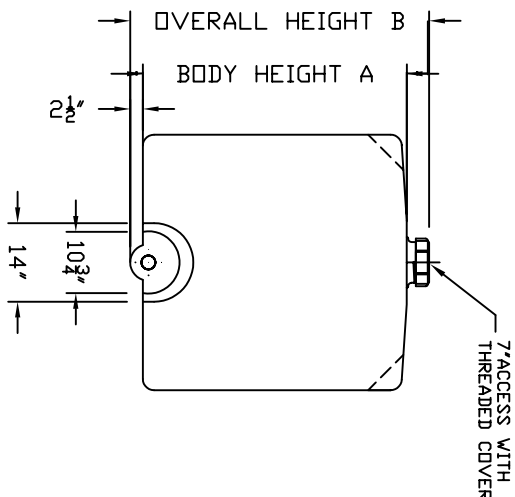



NOTED:  
1. WALL THICKNESS TO BE 1/4" MINIMUM



DESIGN DATA		
UNIT SIZE	DIMENSION	
PC 220	A	B
	33"	38 1/2"
PC 330	48"	53 1/2"



REV	DESCRIPTION	DATE
A	UPDATED TITLE BLOCK	3/12/09 MG


  
 300 N TAYLOR ROAD  
 GARRETT, IN 46738  
 PHONE: (260) 357-3181  
 FAX: (260) 357-3738  
 TITLE IPT 220 & 330 GAL.  
 PALLET TANK DETAIL  
 DWG NUMBER: IPT 330-3  
 REV: A