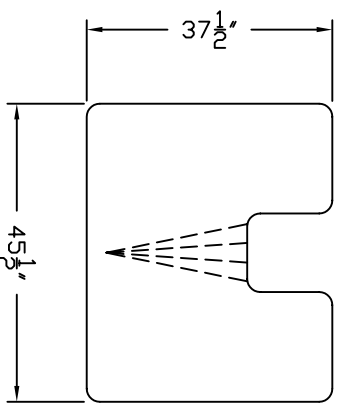
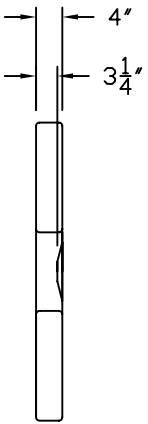
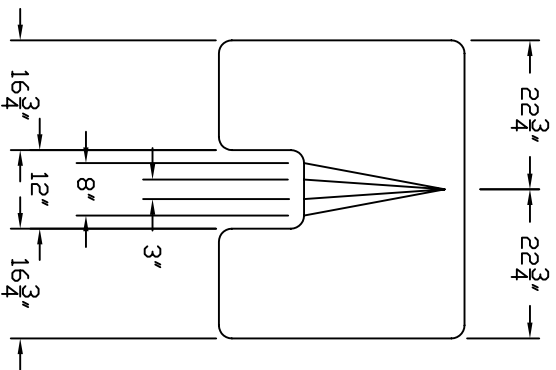


- NOTES:
 1. ROTATIONALLY MOLDED POLYETHYLENE PILLOW
 FILLED WITH URETHANE FOAM



REV	A	DESCRIPTION	DATE
		UPDATED TITLE BLOCK	3/12/09 MG

		300 N TAYLOR ROAD GARRETT, IN 46738 PHONE: (260) 357-3181 FAX: (260) 357-3738	
TITLE IPT 220 & 330 GAL. PILLOW INSERT DETAIL		DRAWN BY: D. CRAGER DRAWN DATE: 8/21/91	
DWG NUMBER: IPT 330-4		REV: A	