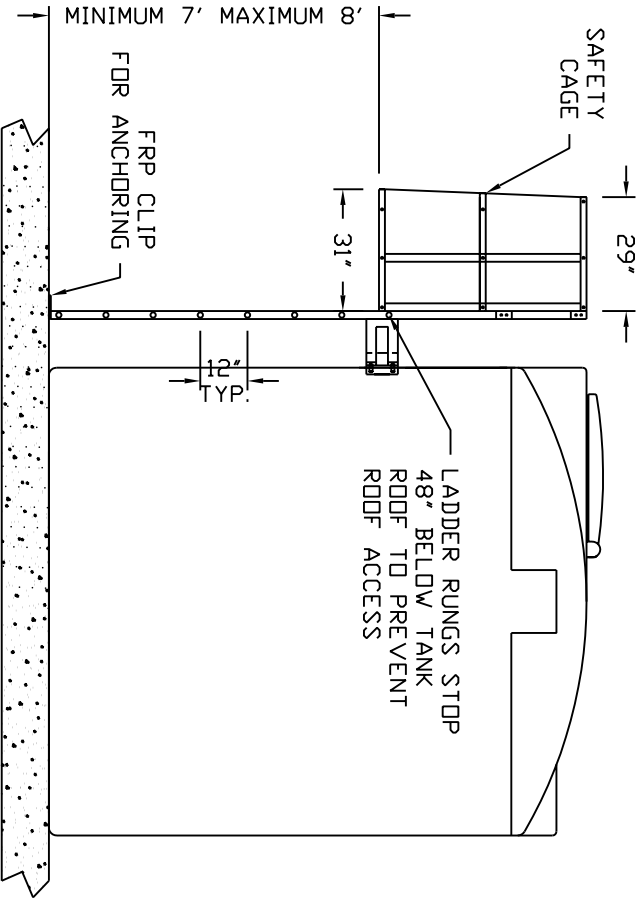


Polyethylene tanks are extremely slippery. Assmann does not recommend that anyone climbs or stands on the roof of a polyethylene tank. Unless special ordered, our ladders terminate purposely 48" below the tank roof, to prevent access to the tanks dome.



REV	A	DESCRIPTION	DATE
		UPDATED TITLE BLOCK	5/6/09 MG

Assmann
CORPORATION OF AMERICA
300 N TAYLOR ROAD
GARRETT, IN 46738
PHONE: (260) 357-3181
FAX: (260) 357-3738

TITLE: FRP LADDER WITH SAFETY CAGE FOR VERTICAL TANKS
DRAWN BY: [blank]
DRAWN DATE: 11/19/92
DWG NUMBER: LA008
REV: A