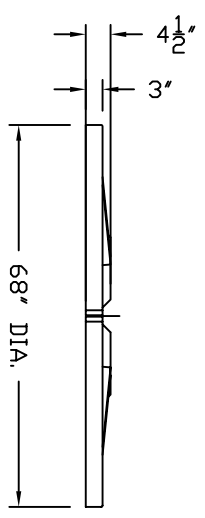
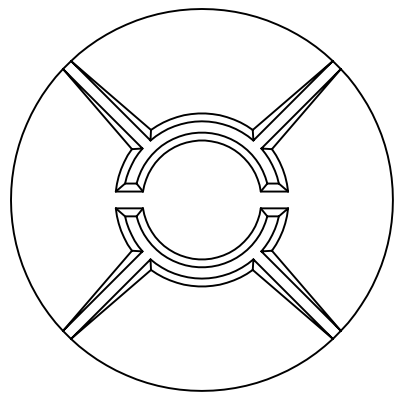
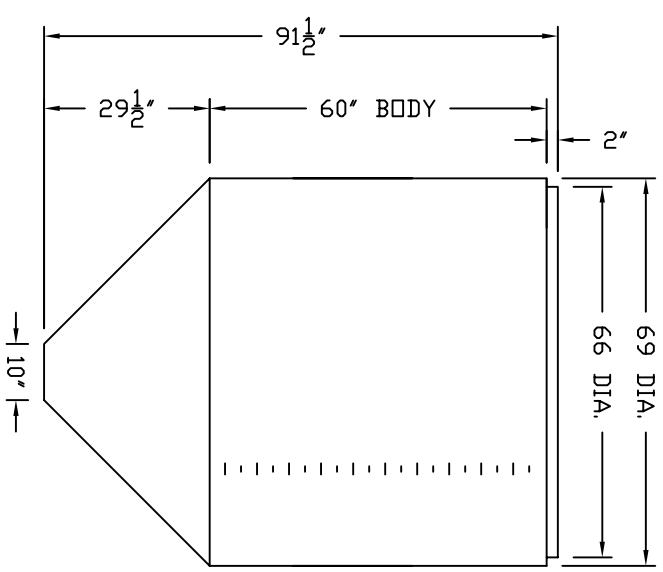
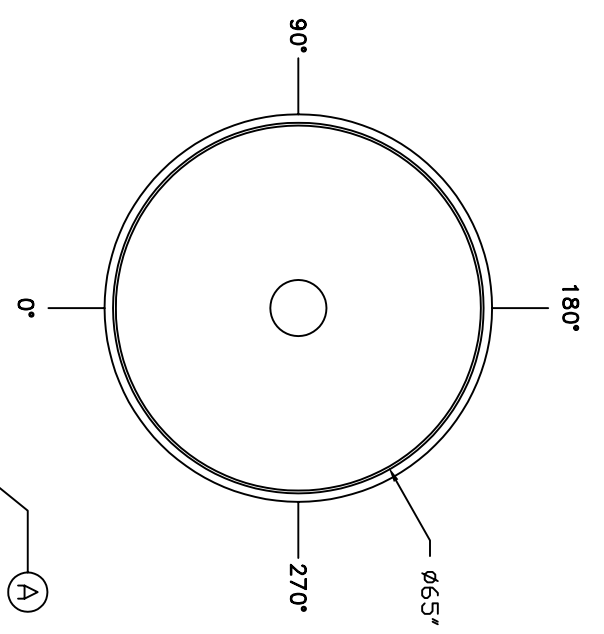


ACCESSORIES					
MK	SIZE	DESCRIPTION	DEG	ELEV	DOME
A	68"	OPEN TOP COVER	-	-	X



LID DESIGN

REV	REVISION DESCRIPTION	REV DATE

		300 N TAYLOR ROAD GARRETT, IN 46728 PHONE: (260) 337-3181 FAX: (260) 337-3728
CORPORATION OF AMERICA		
TITLE: DTCB 1100 GAL. OPEN TOP CONICAL BOTTOM STORAGE TANK		
DRAWN BY: D. CRANER	REVISION DATE: 3/11/02	SALES ENGINEER
ASSMANN CORP. OF AMERICA		

RESIN USED:	POLYETHYLENE
TANK DESIGNATED:	SP.G. MAX
TANK SPECIFIC GRAVITY:	-
TANK WEIGHT:	LBS.
TANK COLOR:	NATURAL
DWG NUMBER:	DTCB 1100
REV:	-

ALL DIMENSIONS ARE IN INCHES AND ARE ±3%