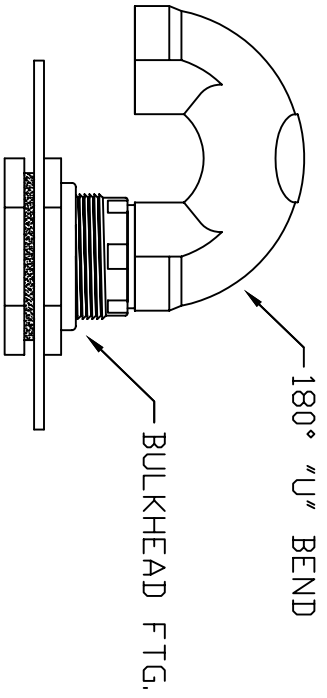


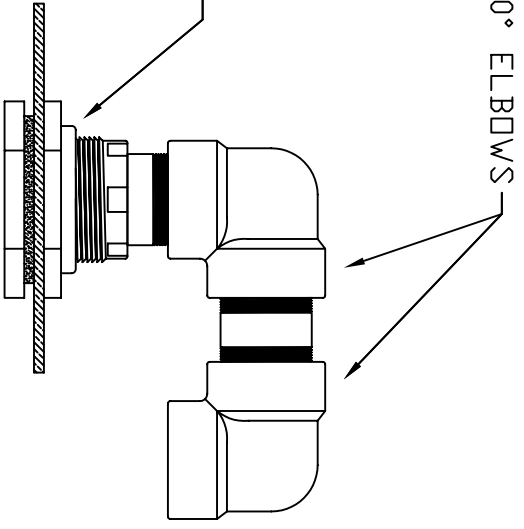
- 2" - "U" VENT - UVAA4200
- 3" - "U" VENT - UVAA4300
- 4" - "U" VENT - UVAA4400



180° "U" BEND

BULKHEAD FTG.

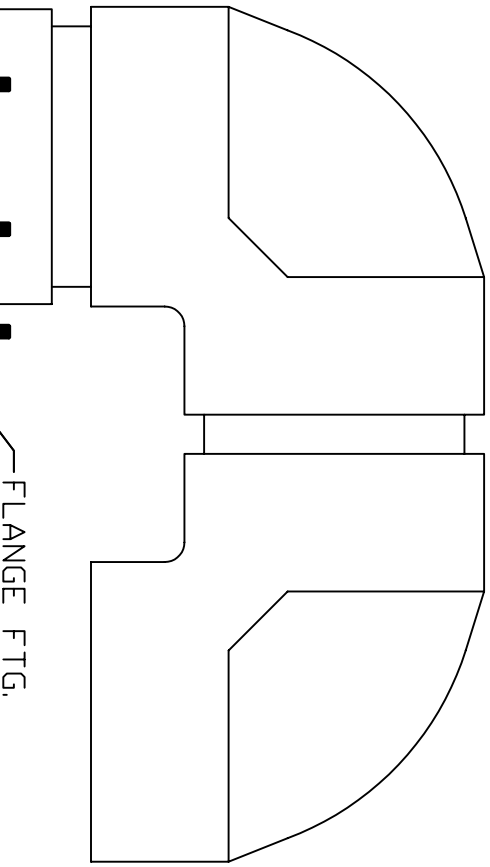
BULKHEAD FTG.



90° ELBOWS

1" - "U" VENT - UVAA4100

90° ELBOWS



FLANGE FTG.

- 6" - "U" VENT - UVAA4200
- 8" - "U" VENT - UVAA4300

NOTES:

1. ALL "U" VENT ASSEMBLIES STANDARD WITH FITTINGS
2. OPTIONAL STAINLESS STEEL OR POLYETHYLENE PEST SCREEN AVAILABLE

REV	A	UPDATED TITLE BLOCK	4/22/09 MG
REV		REVISION DESCRIPTION	REV DATE

		300 N TAYLOR ROAD GARRETT, IN 46738 PHONE: (260) 357-3181 FAX: (260) 357-3738	
TITLE "U" VENT ASSEMBLIES		DRAWN BY:	DATE: 4/05/93
DWG NUMBER: U-VENT		REV:	A