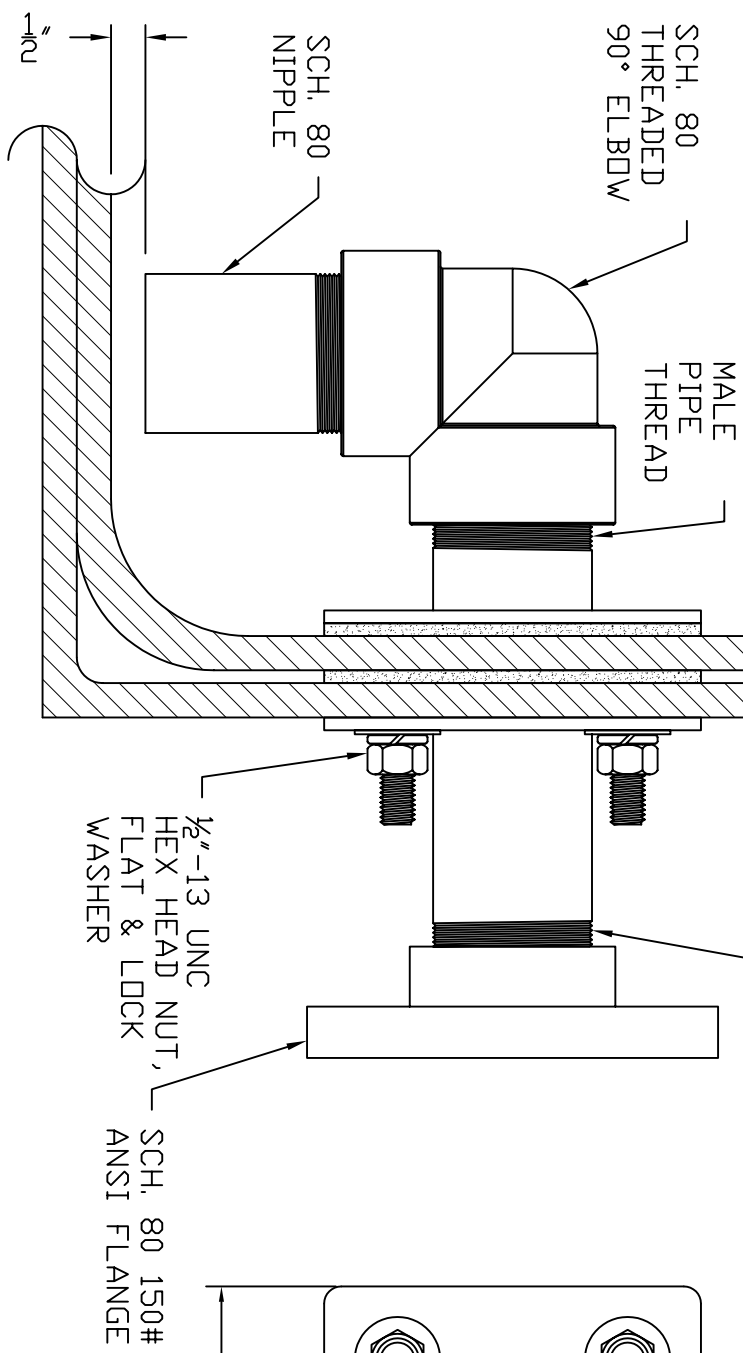


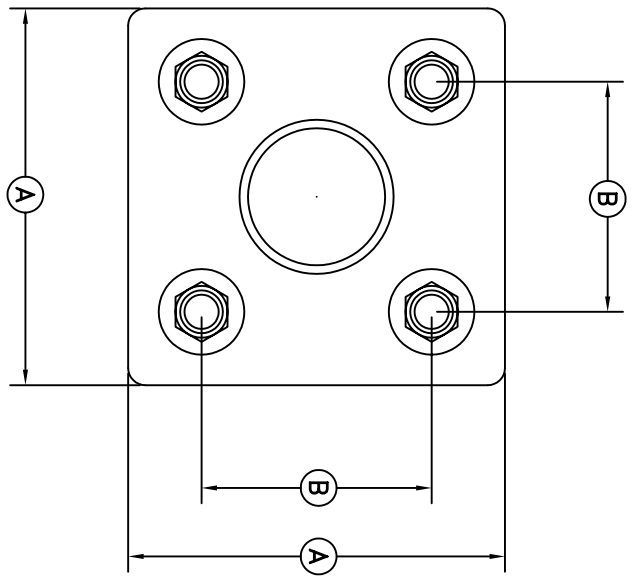
DESIGN DATA			
MALE PIPE SIZE	PLATE SIZE DIM. A	NUMBER OF BOLTS	BOLT PATTERN DIM. B
2"	5 1/2"	4	3 3/8"
3"	7"	4	4 1/4"

INSIDE PRIMARY TANK WALL

SECONDARY TANK WALL



NOTES:  
 1) GASKET MATERIAL: E.P.D.M. (Std.) VITON & XLEPE OPTIONAL



1/2"-13 UNC HEX HEAD NUT, FLAT & LOCK WASHER

MALE PIPE THREAD

SCH. 80 150# ANSI FLANGE

PART TITLE		DOUBLE WALL DOUBLE MALE FITTING W/ SIPHON DRAIN & FLANGE ADAPTER	
SCALE	DATE	<b>Assmann</b> CORPORATION OF AMERICA	DWDSM-FA-SD
1/3/08			
DWG NO.		CUSTOMER APPROVAL	