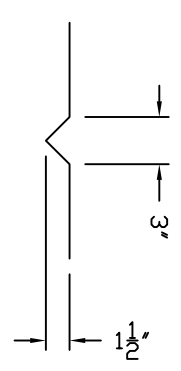
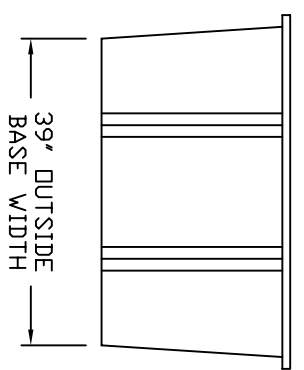
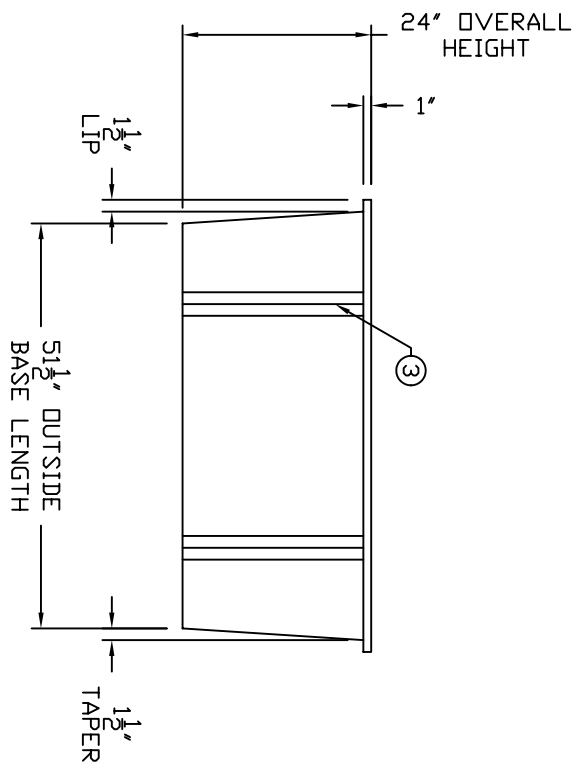
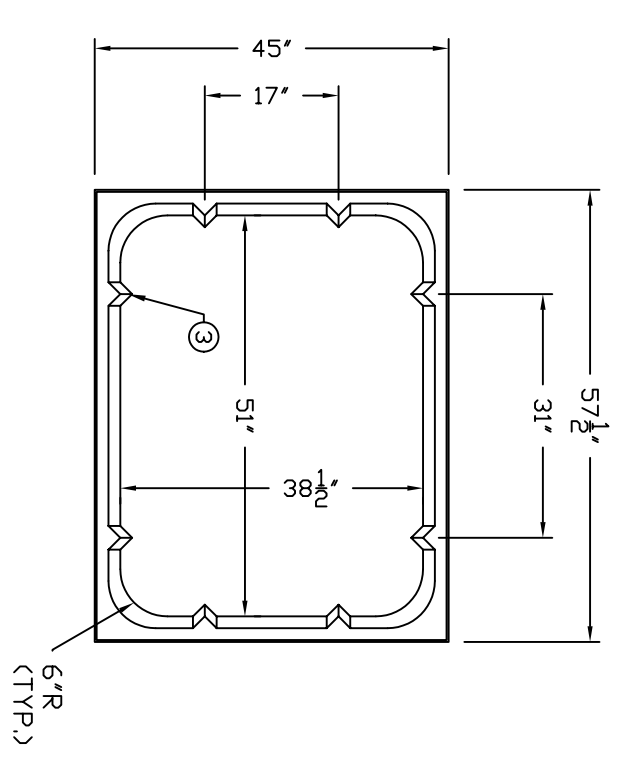


ACCESSORIES					
MK	SIZE	DESCRIPTION	DEG	ELEV	DOME

NOTES:  
 1 3' WIDE x 1 1/2" DEEP STIFFENER RIB  
 (8 PLACES) SEE DETAIL



STIFFENER RIB

REV	REVISION DESCRIPTION	REV DATE
-----	----------------------	----------

**Loamman**  
 CORPORATION OF AMERICA  
 300 N TAYLOR ROAD  
 GARRETT, IN 46728  
 PHONE: (260) 337-3181 FAX: (260) 337-3728

TITLE	IRD 200 GAL. RECTANGULAR SECONDARY CONTAINMENT BASIN	TANK RESIN USED	POLYETHYLENE
DESIGNED BY	ROWLISON	DATE	3/15/06
SALES ORDER		TANK COLOR	NATURAL
		WEIGHT	LBS.
		DWG NUMBER	IRD 200
		REV	Ø

ALL DIMENSIONS ARE IN INCHES AND ARE ±3%