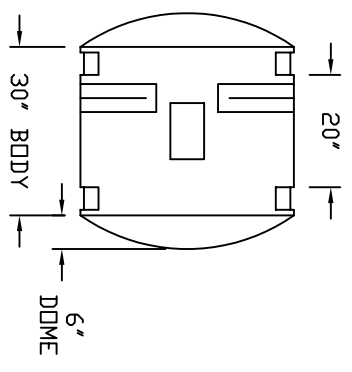
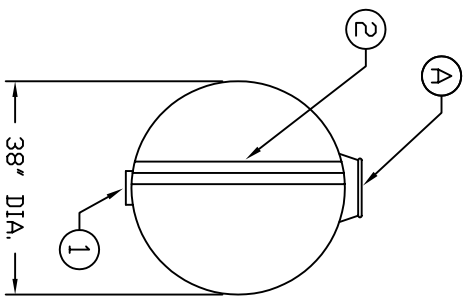
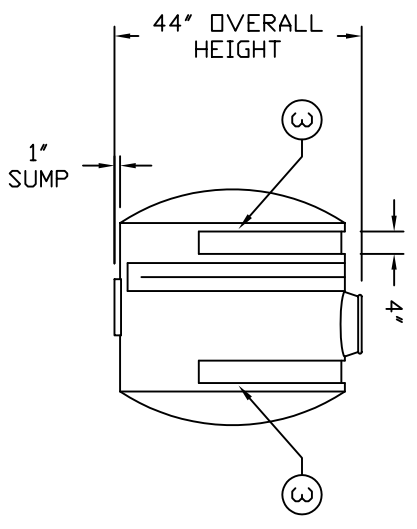
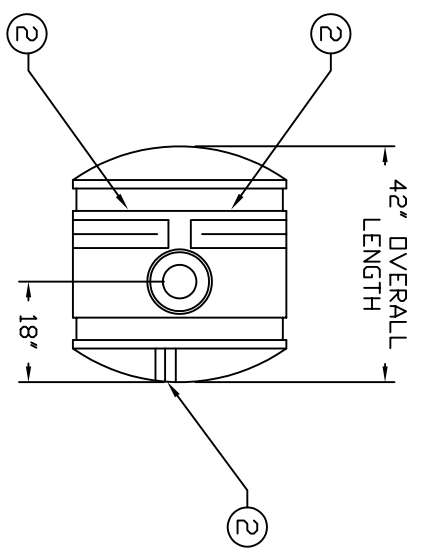


ACCESSORIES					
MK	SIZE	DESCRIPTION	DEG	ELEV	DOME
A	8'	ACCESS W/ THREADED LID & RIM	CL	-	X



- NOTES:
1. 10" X 5 1/2" X 1" DEEP SUMP
 2. MOLDED IN VOLUME MARKER (3 PLACES)
 3. MOLDED IN BANDING GROOVES (2 PLACES)

A	UPDATED TITLE BLOCK	1/7/09 MG
REV	REVISION DESCRIPTION	REV DATE

Ica Lommur
 CORPORATION OF AMERICA
 300 N TAYLOR ROAD
 GARRETT, IN 46728
 PHONE: (260) 357-3181 FAX: (260) 357-3728

TITLE: AHT 150 GAL. CYLINDRICAL HORIZONTAL STORAGE TANK
 DRAWN BY: D. CRAIGER
 SPECIAL DATE: 3/25/93
 SALES ENGINEER

RESIN USED	POLYETHYLENE	TANK WEIGHT	LBS.
TANK SPECIFIC GRAVITY	-	TANK CAPACITY	SP.G. MAX
ALL DIMENSIONS ARE IN INCHES AND ARE ±3%		DWG NUMBER:	AHT 150
		REV	A