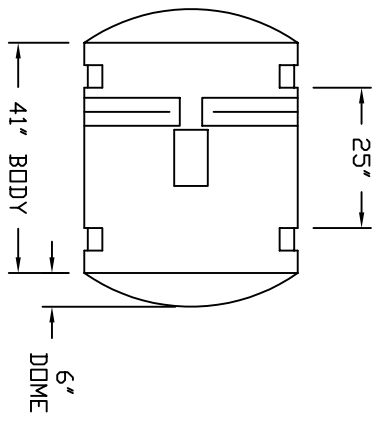
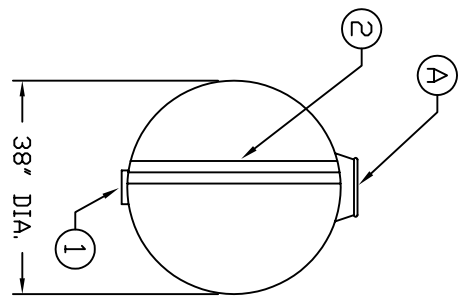
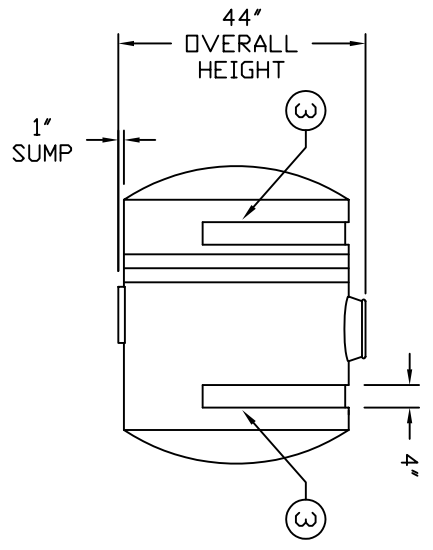
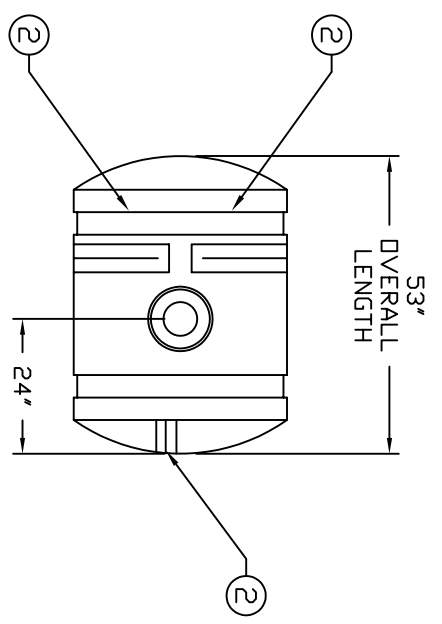


ACCESSORIES					
MK	SIZE	DESCRIPTION	DEG	ELEV	DOME
A	8'	ACCESS W/ THREADED LID & RIM	-	-	X



- NOTES:
1. 10" X 5 1/2" X 1" DEEP SUMP
  2. MOLDED IN VOLU ME MARKER ( 3 PLACES )
  3. MOLDED IN BANDING GROOVES ( 2 PLACES )

REV	A	UPDATED TITLE BLOCK	1/9/09 MG
REV		REVISION DESCRIPTION	REV DATE
CORPORATION OF AMERICA 300 N TAYLOR ROAD GARRETT, IN 46728 PHONE: (260) 337-3181 FAX: (260) 337-3728			
TITLE AHT 200 GAL. CYLINDRICAL HORIZONTAL STORAGE TANK		POLYETHYLENE TANK RESIN SPECIFIC GRAVITY - SP.G. MAX - LBS.	
DRAWN BY D. CRAIGER	REVISION DATE 3/22/93	SALES ENGINEER	DWG NUMBER AHT 200
ALL DIMENSIONS ARE IN INCHES AND ARE ±3%			RESIN USED POLYETHYLENE