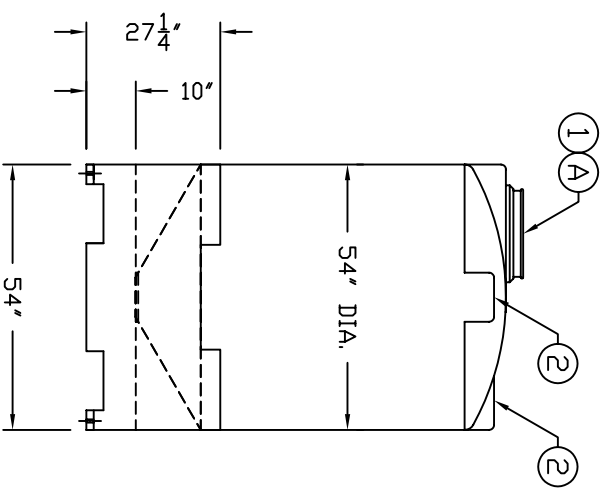
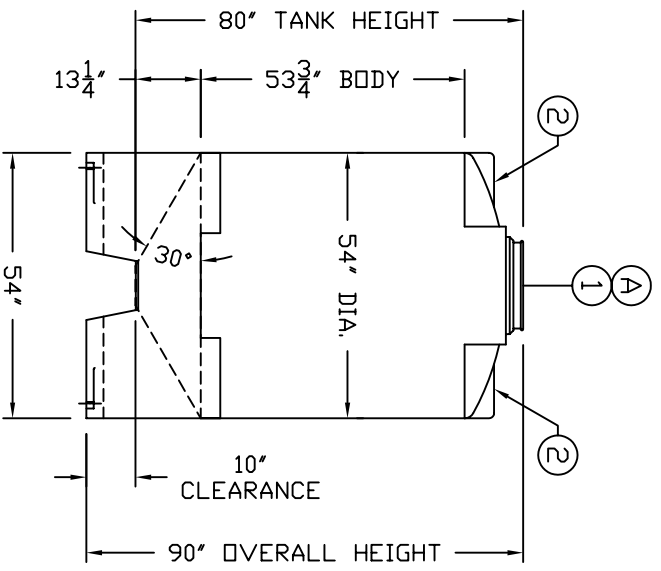
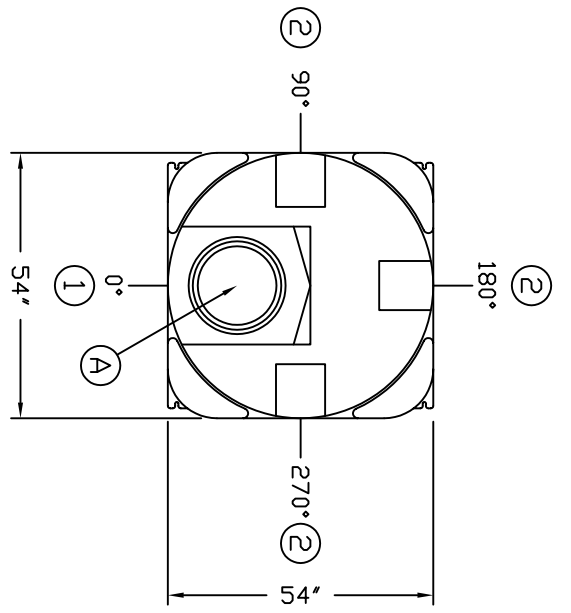



ACCESSORIES					
MK	SIZE	DESCRIPTION	DEG	ELEV	DOME
A	16"	MANWAY W/ LEVER LOCKING COVER	0°	-	X



NOTES:
 1. 24" x 29" MANWAY FLAT
 2. 10" x 11" DOME FLATS (TYP. 3 PLACES)

REV	DESCRIPTION	DATE
C	CORRECTED TANK OVERALL HEIGHT	9/4/08 SR
B	RENAMED DRAWING APCB 560	10/5/06 SR
A	ADDED TANK DOME FLATS	6/20/06
	REVISION DESCRIPTION	REV DATE



ASSMANN CORPORATION OF AMERICA

300 N TAYLOR ROAD
 GARRETT, IN 46728
 PHONE: (260) 337-3181
 FAX: (260) 337-3728

ICB 560 GAL. CONICAL BOTTOM STORAGE TANK

TANK RESIN: POLYETHYLENE
 SPECIFIC GRAVITY: -
 S.P.G. MAX: - LBS.

RESIN USED: -

ISSUED DATE	3/20/06	DESIGNED BY	
REVISED DATE		CHECKED BY	
DRAWN BY		DWG NUMBER	APCB 560
DATE		REV	C

ALL DIMENSIONS ARE IN INCHES AND ARE ±3%