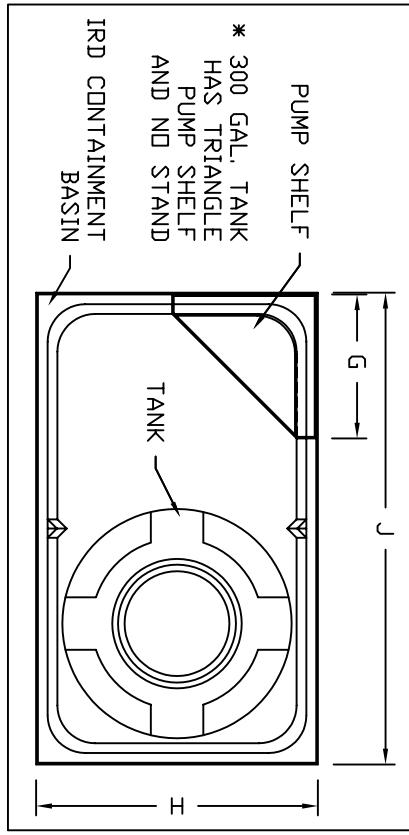
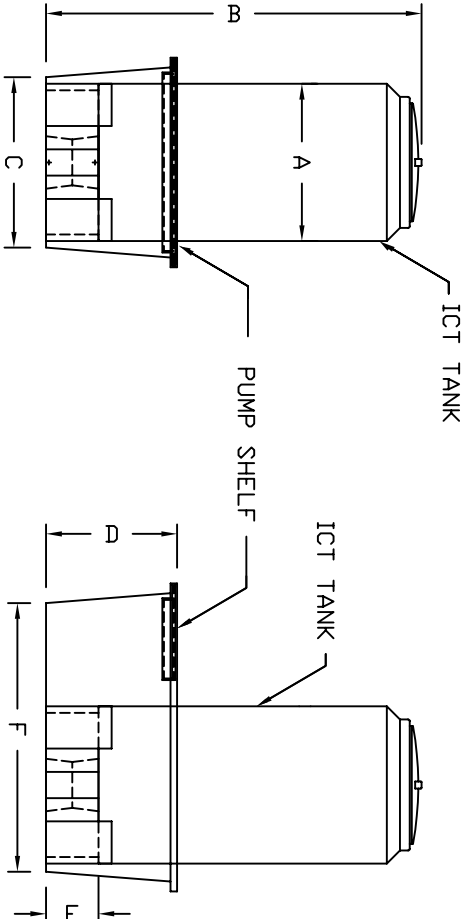
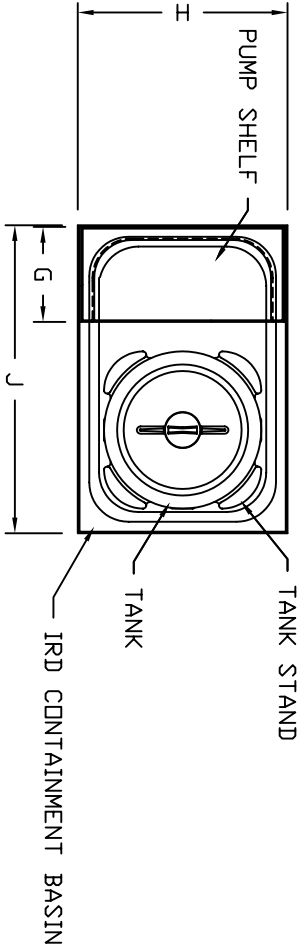


ACCESSORIES

MK	QTY	SIZE	DESCRIPTION									
		TANK SIZE	A	B	C	D	E	F	G	H	J	
		40 GAL. TANK	20"	45.25"	22"	20"	8"	28"	8.25"	26"	32"	
		60 GAL. TANK	23"	49.25"	26"	20"	8"	41"	14.50"	32"	47"	
		80 GAL. TANK	24"	57.25"	26"	20"	8"	41"	14.50"	32"	47"	
		140 GAL. TANK	29"	67.50"	31.50"	24"	9"	46"	14.75"	38"	52"	
		175 GAL. TANK	35"	61"	37"	28"	10"	54"	14.50"	43"	60"	
		200 GAL. TANK	35"	67"	37"	31"	10"	54"	14.50"	43"	60"	
		250 GAL. TANK	35"	68.75"	37"	31"	10"	66"	22"	43"	72"	
		300 GAL. TANK	35"	81.50"	37"	31"	10"	66"	22"	43"	72"	
		550 GAL. TANK	48"	82"	52.50"	40"	*	71.50"	22"	64"	83"	

NOTES:
1. ALL DIMENSIONS ARE PLUS OR MINUS .3"



B	UPDATED TITLE BLOCK	1/26/09 MG
A	ADDED 175, 200 & 250 GAL. FEED STATION ASSEMBLIES	12/5/05
REV	REVISION DESCRIPTION	REV DATE
300 N TAYLOR ROAD GARRETT, IN 46738 PHONE: (260) 357-3181 FAX: (260) 357-3738		
TITLE ASSMANN FEEDSTATION ARRANGEMENT & DIMENSIONS		
SALES ORDER		
DWG NUMBER: CFS001		
REV B		