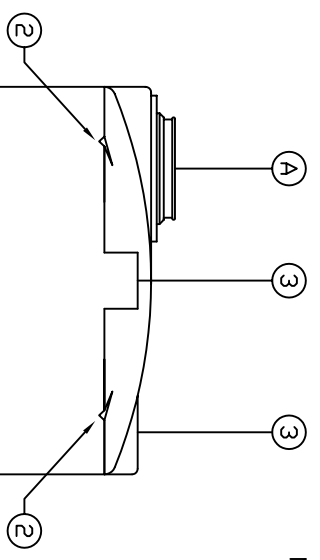
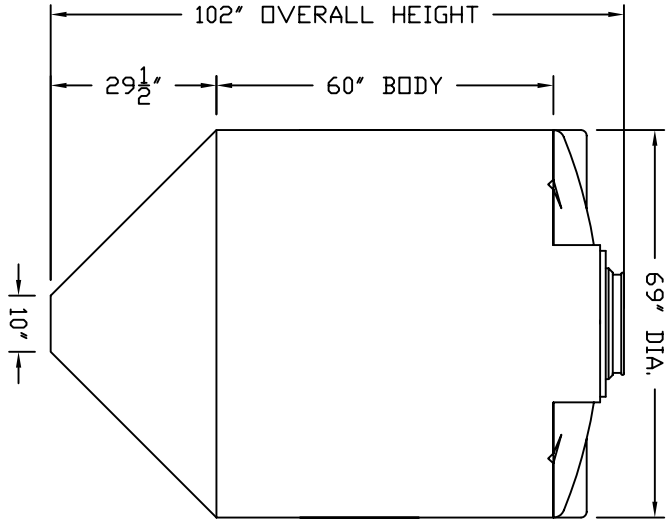
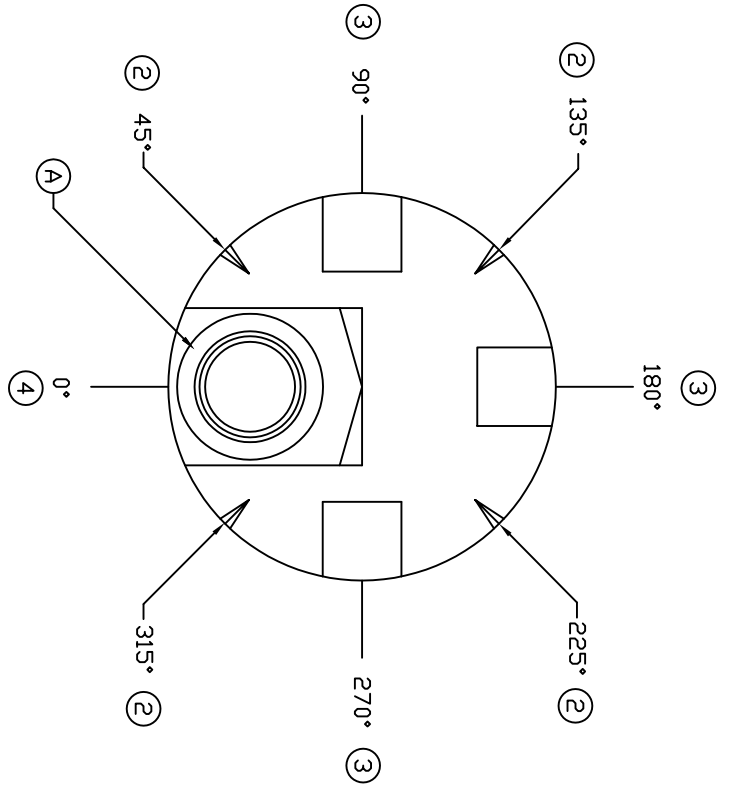


ACCESSORIES					
MK	SIZE	DESCRIPTION	DEG	ELEV	DOME
A	16'	MANWAY W/ LEVER LOCKING COVER	0°	-	X



- NOTES:
1. CONE FITTING FLAT 10" DIA,
 2. MOLDED IN TIE DOWN GROOVES (4 PLACES)
 3. 10' X 10" DOME FLAT SPOT (3 PLACES)
 4. 34 1/2" X 29" MANWAY FLAT SPOT

A	UPDATED THE TITLE BLOCK	11/24/08	MG
REV	REVISION DESCRIPTION	REV DATE	
ICB 1,100 GALLON CONICAL BOTTOM STORAGE TANK			
TITLE	ICB 1,100 GALLON CONICAL BOTTOM STORAGE TANK		
MANUFACTURER	ASSMANN CORPORATION		
DATE	4/7/03		
DESIGNED BY			
CHECKED BY			
300 N TAYLOR ROAD GARRETT, IN 46728 PHONE: (260) 357-9181 FAX: (260) 357-9798			
RESIN USED	POLYETHYLENE		
TANK WEIGHT	- LBS.		
TANK ORDER			
DWG NUMBER	ICB 1100		
REV	A		

ALL DIMENSIONS ARE IN INCHES AND ARE ±3%