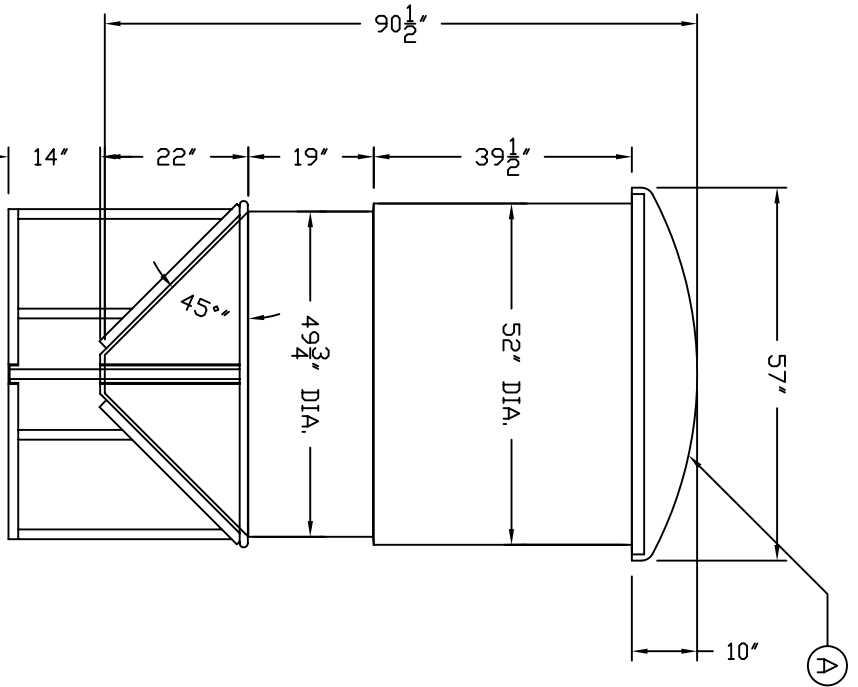
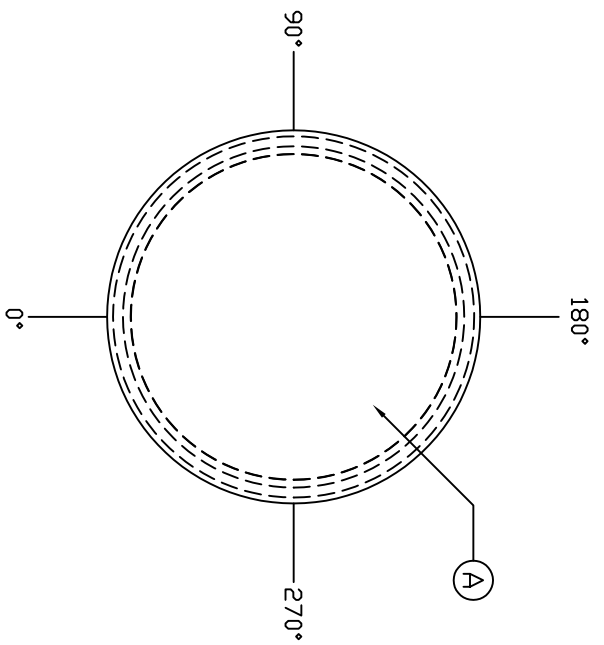



ACCESSORIES					
MK	SIZE	DESCRIPTION	DEG	ELEV	DOME
A	-	OPEN TOP COVER	-	-	X



- NOTES:
- 1 LOCATE FITTINGS FROM PLAN VIEW.
  - 2 TANK(S) MUST BE INSTALLED PER ASSMANN CORPORATION USAGE & GUIDELINES.
  - 3 FLEXIBLE EXPANSION JOINTS MUST BE USED ON ALL SIDEWALL CONNECTIONS.
  - 4 TANKS ARE BUILT PER ASTM D 1998.

REV	DESCRIPTION	DATE
A	UPDATED THE TITLE BLOCK	11/24/08 MG

		300 N TAYLOR ROAD GARRETT, IN 46728 PHONE: (260) 337-9181 FAX: (260) 337-9798	
TITLE ICB 600 GAL. CONICAL CORPORATION OF AMERICA		POLYETHYLENE TANK RESISTED SPECIFIC GRAVITY - SP.G. MAX	
BOTTOM STORAGE TANK		- LBS.	
DRAWN BY D. CRAIGER	REVIEW DATE 08/13/98	SALES ORDER#	DWG NUMBER ICB 600
ASSMANN CORPORATION OF AMERICA		REV A	

ALL DIMENSIONS ARE IN INCHES AND ARE ±3%