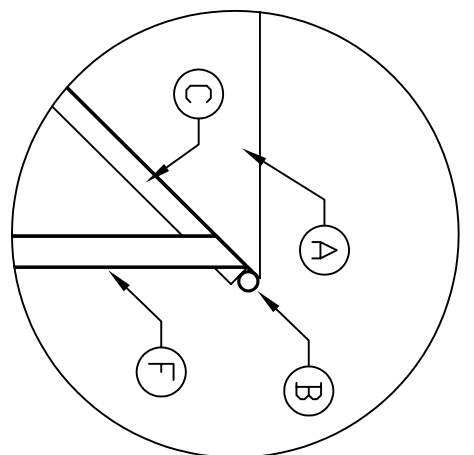
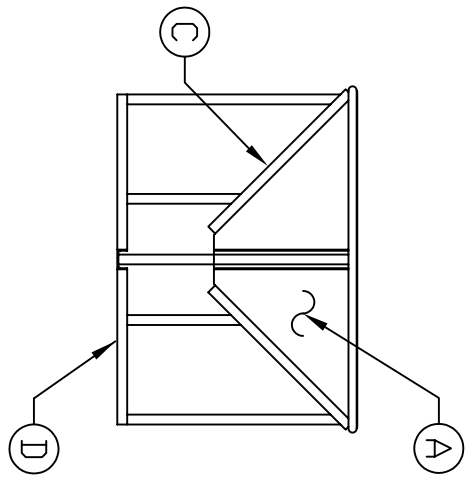
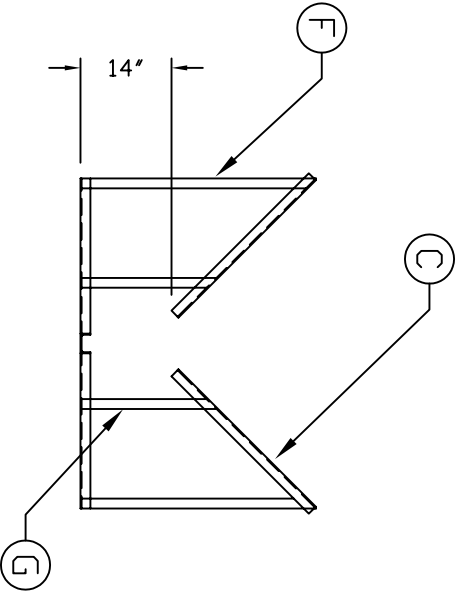
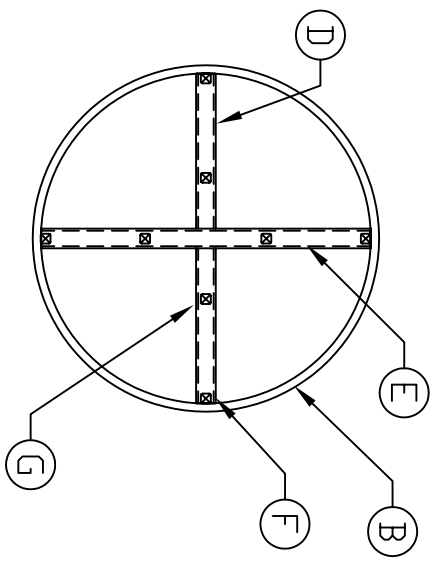


ACCESSORIES




MK	QTY	SIZE	DESCRIPTION
A	1	-	FULL PAN, FORMED FROM 12 GA. SHEET STEEL ROLLED TO A 45° ANGLE WITH 51 1/4" O.D. TOP AND 7 1/2" DIA. BOTTOM OPENING
B	1	-	SUPPORT RING: 1 1/4" SCH 80 BLACK PIPE ROLLED TO AN 52 1/2" O.D.
C	4	-	TOP SUPPORT: 3' X 4.1' C' CHANNEL 29 1/2' LONG
D	2	-	BOTTOM FOOT PADS: 3' X 4.1' C' CHANNEL 23 5/8' LONG
E	1	-	BOTTOM FOOT PAD: 3' X 4.1' C' CHANNEL 50 1/4' LONG
F	4	-	OUTER LEGS: 2' X 2' X 3/16" BOX TUBE CUT TO A 45° ANGLE LONG SIDE 36"
G	4	-	INNER LEGS: 2' X 2' X 3/16" BOX TUBE CUT TO A 45° ANGLE LONG SIDE 20 1/2"



NOTES:

1. DIMENSIONAL TOLERANCES ARE PLUS OR MINUS 1/2".

REV	DESCRIPTION	DATE
B	UPDATED TITLE BLOCK	12/17/08 MG
A	ENLARGED STAND OPENING TO 7 1/2"	9/20/06


Loma
 CORPORATION OF AMERICA
 300 N TAYLOR ROAD
 GARRETT, IN 46738
 PHONE: (260) 357-3181
 FAX: (260) 357-3738
 SALES ORDER # 8/10/98
 DRAWN BY: D. CRAGER
 DATE: 8/10/98
 TITLE: ICB 600 GAL. CONICAL BOTTOM TANK STAND
 DWG NUMBER: ICS 600
 REV: B