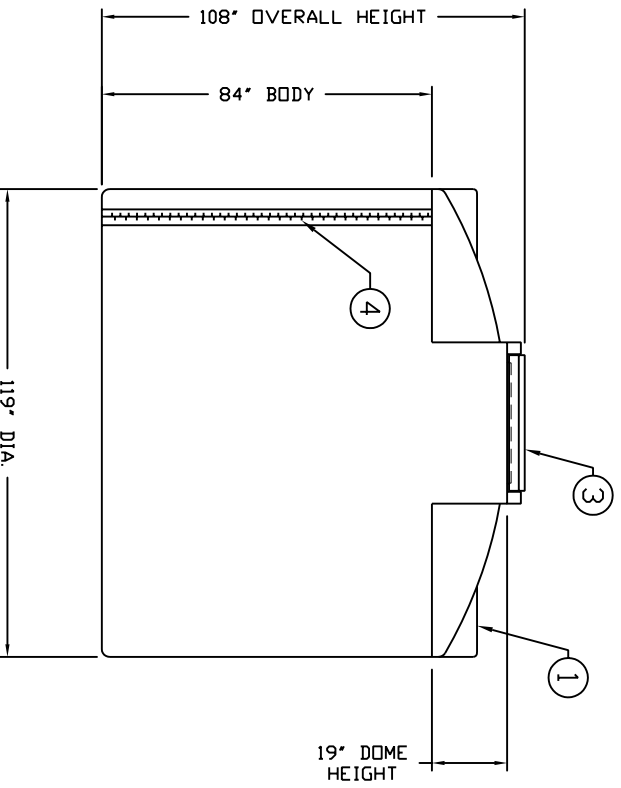
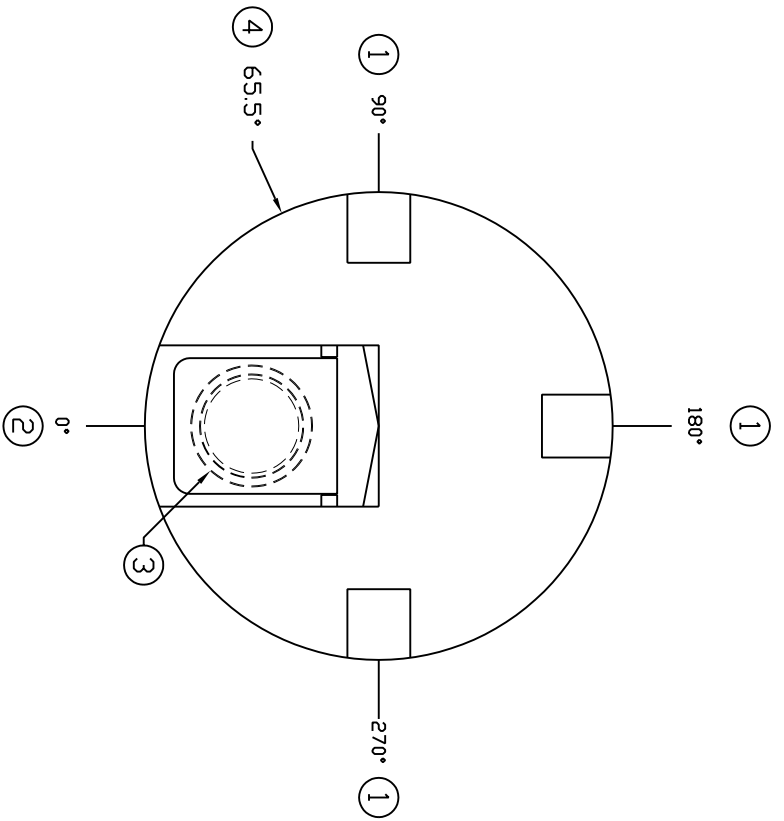


ACCESSORIES

MK	SIZE	DESCRIPTION	DEG	ELEV	DOME



- NOTES:
- 1 16" x 18" DOME FLATS (3 PLACES)
  - 2 41" x 59 1/2" DOME FLAT
  - 3 24" MANWAY W/ HINGED COVER
  - 4 MOLDED IN VOLUME MARKER (100 GAL. INCREMENTS)

REV	REVISION DESCRIPTION	REV DATE



300 N TAYLOR ROAD  
GARRETT, IN 46728  
PHONE: (260) 337-3181  
FAX: (260) 337-3728

TITLE: ICT 4100 GALLON VERTICAL STORAGE TANK

DESIGNED BY: S. ROWLISON  
DATE: 5/78/02  
SALES ORDER

ASSMANN CORPORATION

ALL DIMENSIONS ARE IN INCHES AND ARE ±3%

REV	REV DATE	RESIN USED	TANK WEIGHT	TANK VOLUME	SP.G.	MAX

REV	REV DATE	TANK WEIGHT	TANK VOLUME	SP.G.	MAX

REV	REV DATE	DWG NUMBER
		ICT 4100

REV	REV DATE