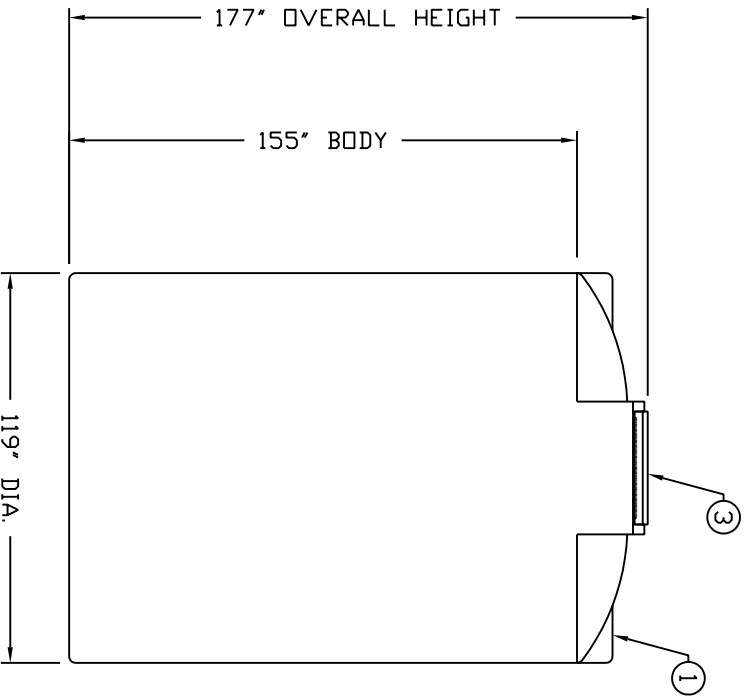
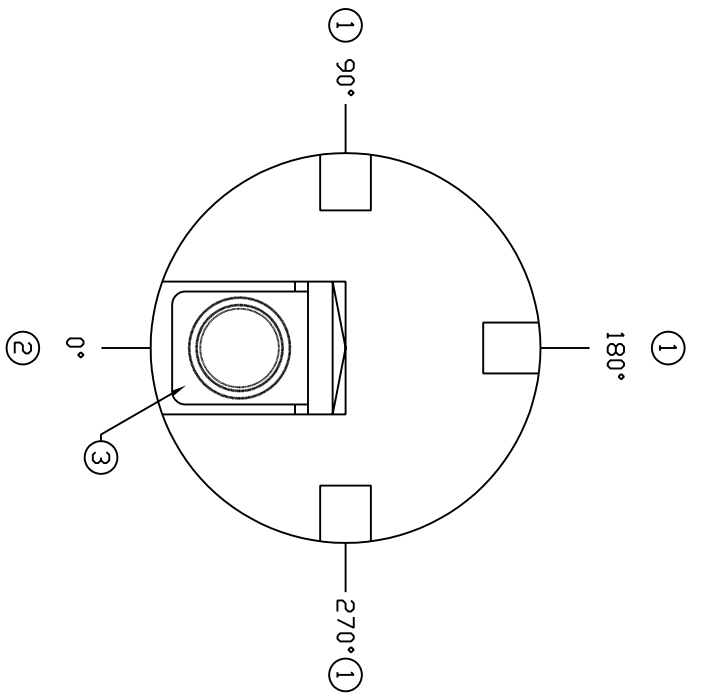


ACCESSORIES

MK	SIZE	DESCRIPTION	DEG	ELEV	DOME



- NOTES:
- 15 1/2" X 17 1/2" DOME FLATS (3 PLACES)
 - 40 1/2" X 52" DOME FLAT
 - 24" HINGED MANWAY COVER

REV	REVISION DESCRIPTION	REV DATE

Assmann
CORPORATION OF AMERICA
300 N TAYLOR ROAD GARRETT, IN 46738

PHONE (860) 357-3181
FAX (860) 357-3198

DRAWN BY	ISSUED DATE	CUSTOMER
SRDWILSON	1/22/04	

RESIN USED -

POLYETHYLENE

TANK DESIGNED SPECIFIC GRAVITY - S.P.G. MAX

TANK WEIGHT - LBS.

TANK COLOR -

DWG NUMBER: ICT 7300

REV -

TITLE: ICT 7300 GALLON VERTICAL STORAGE TANK

ALL DIMENSIONS ARE IN INCHES AND ARE ±3%