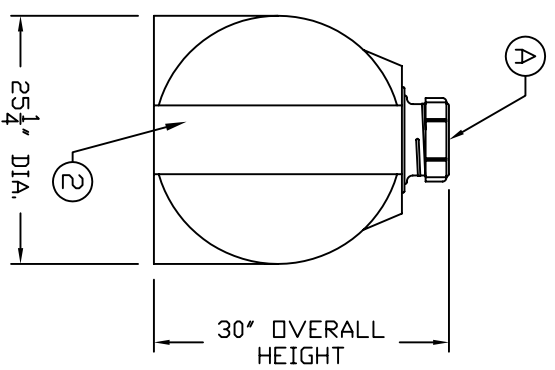
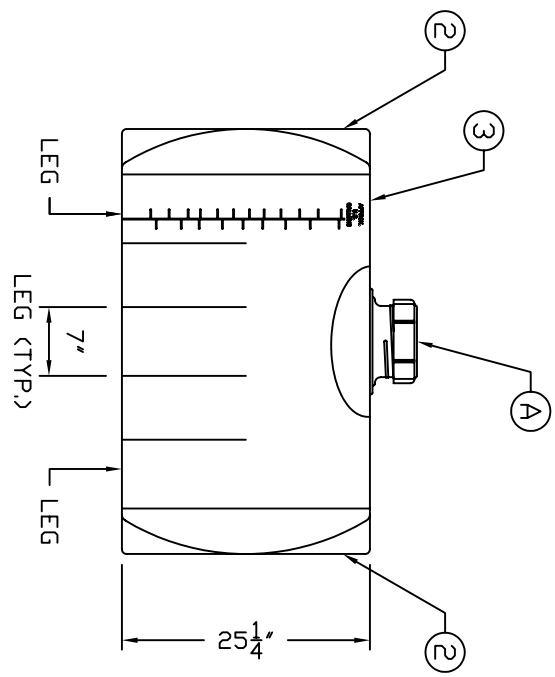
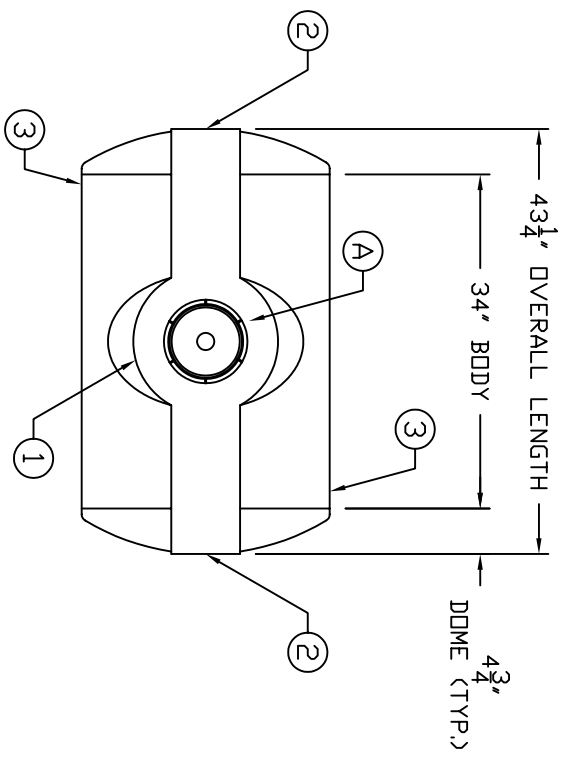


ACCESSORIES					
MK	SIZE	DESCRIPTION	DEG	ELEV	DOME
A	7'	ACCESS W/ THREADED COVER	CL	-	X



- NOTES:
1. 15" DIA. MANWAY BOSS
 2. 7" WIDE END FLAT
 3. MOLDED IN VOLUME MARKER

RESIN USED	POLYETHYLENE	
TANK DESIGNED	GARRETT, IN 48728	
SPECIFIC GRAVITY	- SP.G. MAX	
TANK WEIGHT	- LBS.	
TANK ORDER	-	
DWG NUMBER	IHFS 80	
REV	A	
REV	UPDATED TITLE BLOCK	1/21/09 MG
A	REVISION DESCRIPTION	REV DATE
CORPORATION OF AMERICA 300 N TAYLOR ROAD GARRETT, IN 46728 PHONE: (560) 387-9181 FAX: (560) 387-9728		
TITLE: IHFS 80 GAL. CYLINDRICAL FREE STANDING HORIZONTAL STOR. TANK		
DESIGNED BY	DATE	SALES ORDER
SR ROWLISON	3/7/15/06	
ALL DIMENSIONS ARE IN INCHES AND ARE ±3%		