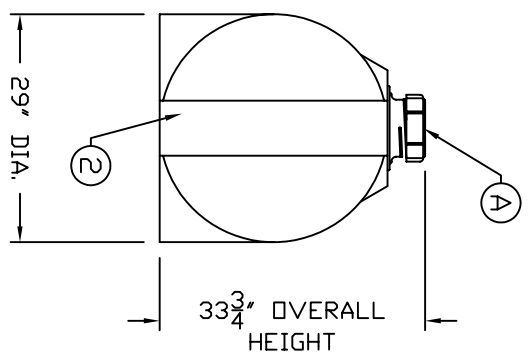
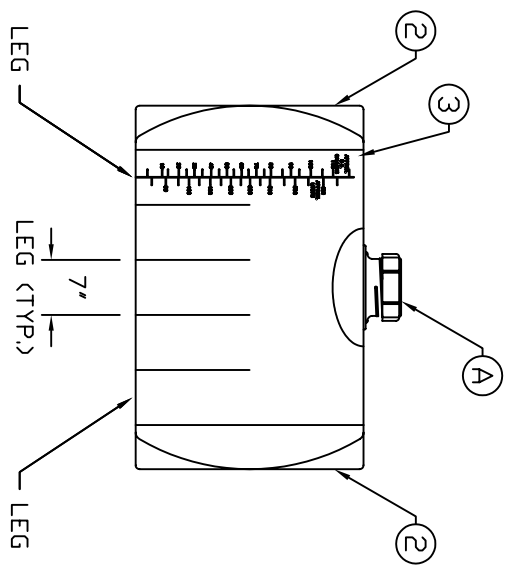
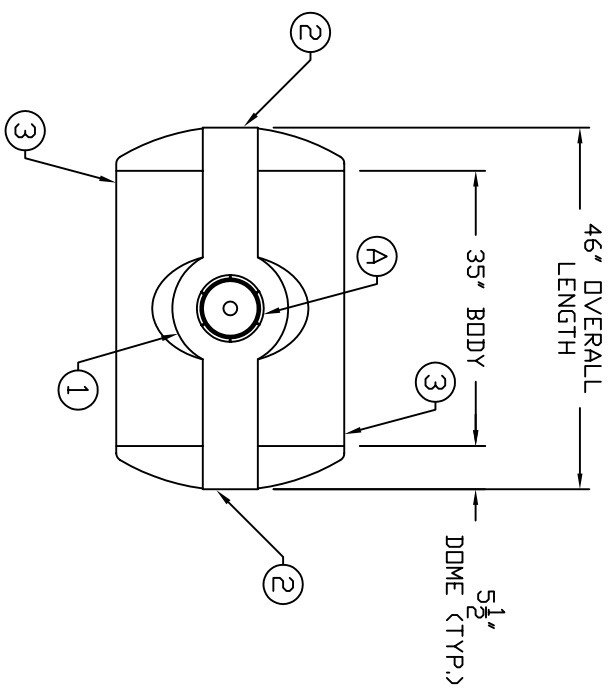


ACCESSORIES					
MK	SIZE	DESCRIPTION	DEG	ELEV	DOME
A	7'	ACCESS W/ THREADED COVER	CL	-	X



- NOTES:
1. 15" DIA. MANWAY BOSS
 2. 7" WIDE END FLAT
 3. MOLDED IN VOLUME MARKER

C	UPDATED TITLE BLOCK	1/20/09	MG
B	ADDED MOLDED IN VOLUME MARKER & REVISED MANWAY ACCESS	9/29/06	
A		6/5/95	
REV	REVISION DESCRIPTION	REV DATE	

		300 N TAYLOR ROAD GARRETT, IN 46728 PHONE: (260) 337-3181 FAX: (260) 337-3728	
TITLE: IHFS 110 GAL. CYLINDRICAL FREE STANDING HORIZONTAL STOR. TANK		POLYETHYLENE TANK RESISTED SPECIFIC GRAVITY - SP.G. MAX - LBS.	
DRAWN BY: D. CRANER CHECKED BY: 11/24/93 SALES ORDER	TANK ORDER - DWG NUMBER: IHFS 110 REV: C		

ALL DIMENSIONS ARE IN INCHES AND ARE ±3%