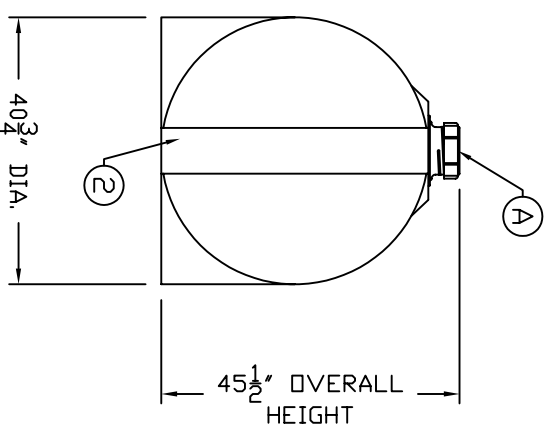
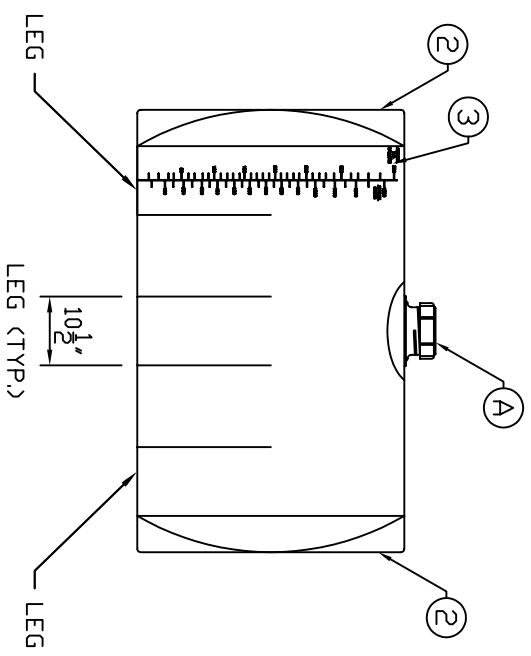
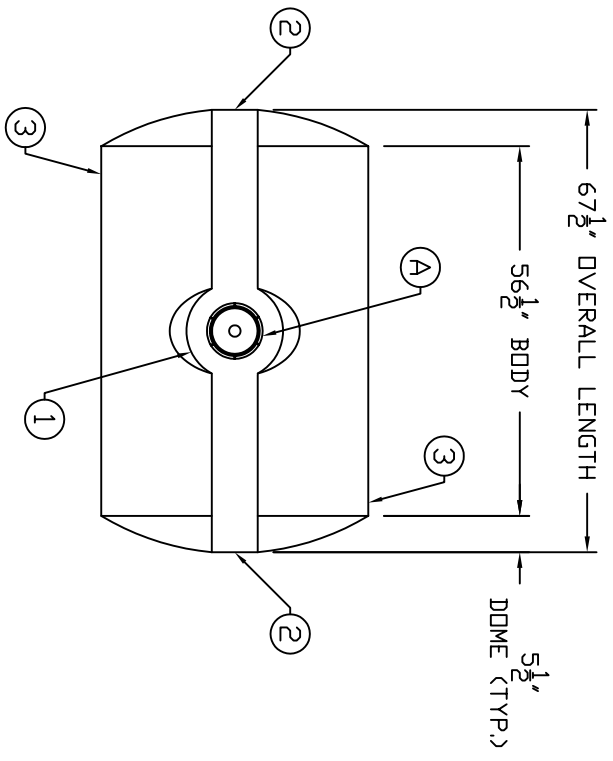


ACCESSORIES					
MK	SIZE	DESCRIPTION	DEG	ELEV	DOME
A	7'	ACCESS W/ THREADED COVER	CL	-	X



- NOTES:
1. 15" DIA. MANWAY BOSS
  2. 7" WIDE END FLAT
  3. MOLDED IN VOLUME MARKER

REV	REVISION DESCRIPTION	REV DATE
C	UPDATED TITLE BLOCK	1/21/09 MG
B	ADDED MOLDED IN VOLUME MARKER & REVISED MANWAY ACCESS	9/29/06
A		6/5/95

**Ice Armor**  
CORPORATION OF AMERICA

300 N TAYLOR ROAD  
GARRETT, IN 46728  
PHONE: (260) 337-3181  
FAX: (260) 337-3738

TITLE: IHFS 300 GAL. CYLINDRICAL FREE STANDING HORIZONTAL STOR. TANK

DESIGNED BY: D. CRANER  
ISSUE DATE: 10/17/94  
SALES ORDER

POLYETHYLENE  
TANK RESISTED SPECIFIC GRAVITY - S.P.G. MAX  
TANK WEIGHT - LBS.  
TANK COLOR -  
DWG NUMBER: IHFS 300  
REV: C

RESIN USED: -  
TANK WEIGHT: -  
TANK COLOR: -  
DWG NUMBER: IHFS 300  
REV: C

ALL DIMENSIONS ARE IN INCHES AND ARE ±3%