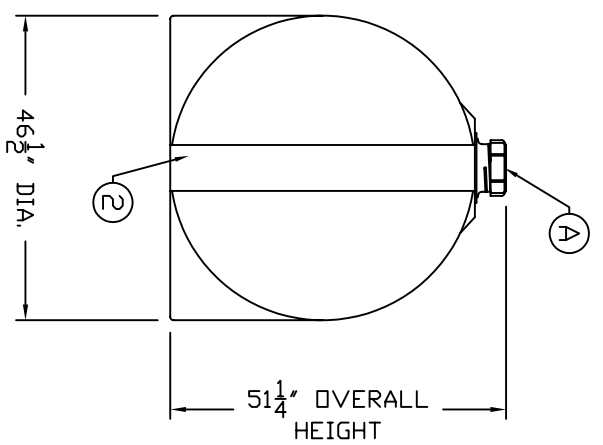
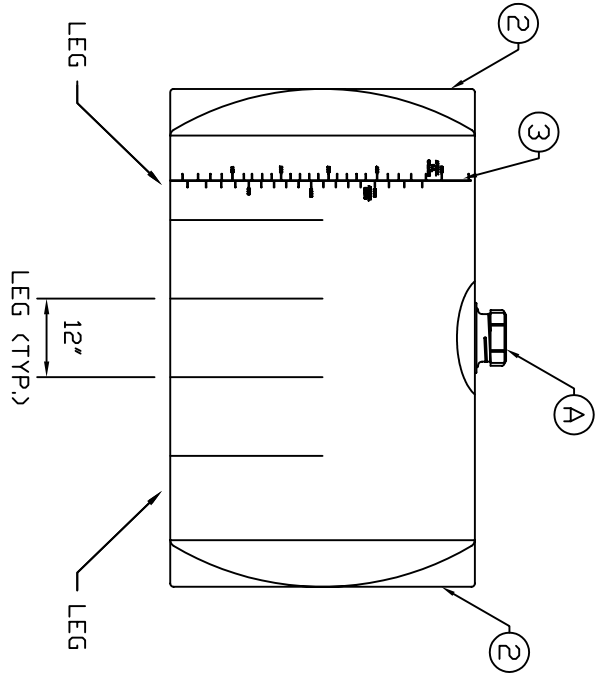
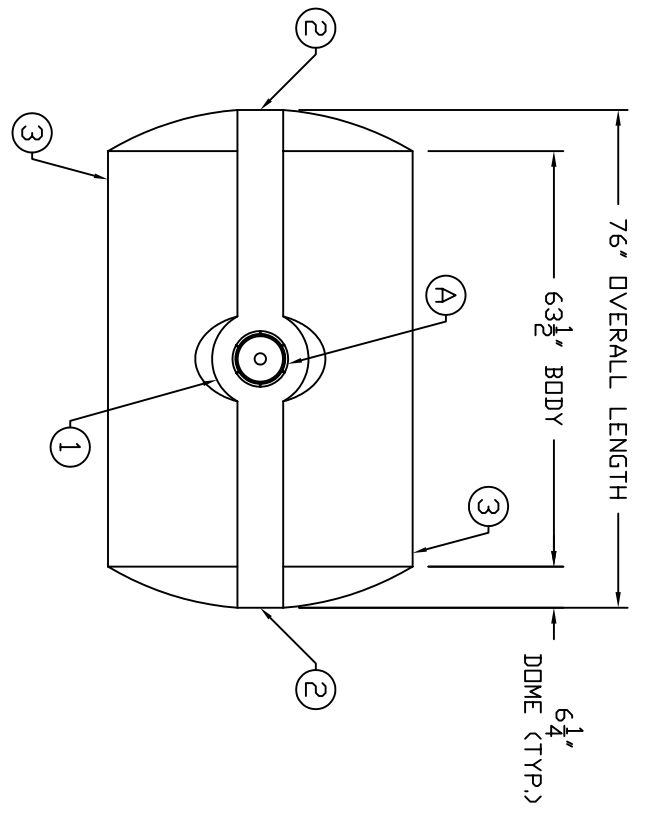


ACCESSORIES					
MK	SIZE	DESCRIPTION	DEG	ELEV	DOME
A	7'	ACCESS W/ THREADED COVER	CL	-	X



- NOTES:
1. 15" DIA. MANWAY BOSS
  2. 7" WIDE END FLAT
  3. MOLDED IN VOLUME MARKER

REV	DESCRIPTION	REV DATE
C	UPDATED TITLE BLOCK	1/21/09 MG
B	ADDED MOLDED IN VOLUME MARKER & REVISED MANWAY ACCESS	9/29/06
A		6/5/95

 CORPORATION OF AMERICA	300 N TAYLOR ROAD GARRETT, IN 46728 PHONE: (260) 357-3181 FAX: (260) 357-3728
TITLE: IHFS 500 GAL. CYLINDRICAL FREE STANDING HORIZONTAL STOR. TANK	POLYETHYLENE TANK RESISTED SPECIFIC GRAVITY - SP.G. MAX - LBS.
DRAWN BY: D. CRANER DATE: 10/17/94 SALES ENGINEER	TANK ORDER DWG NUMBER: IHFS 500 REV: C

ALL DIMENSIONS ARE IN INCHES AND ARE ±3%