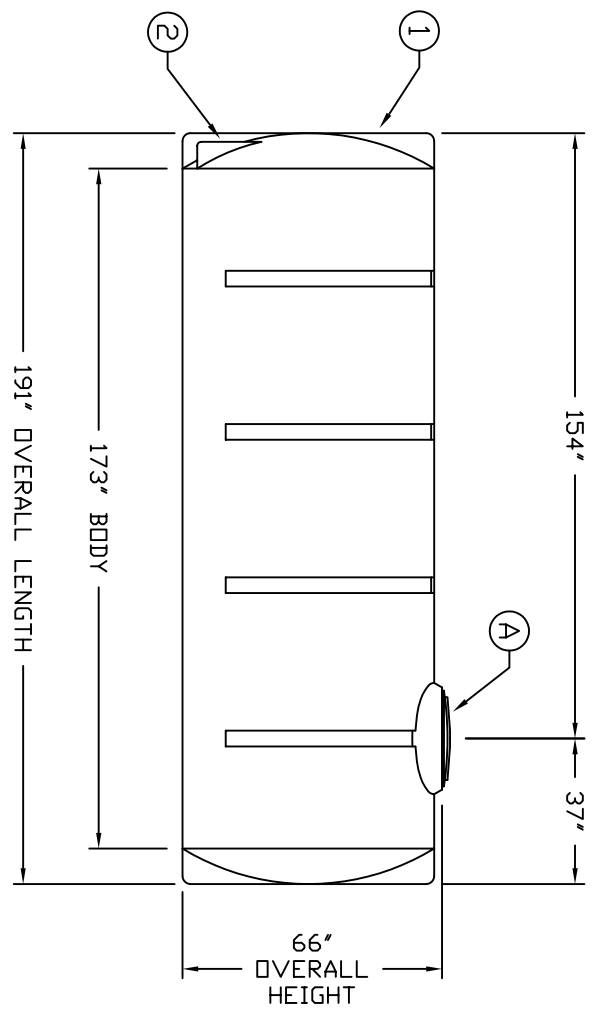
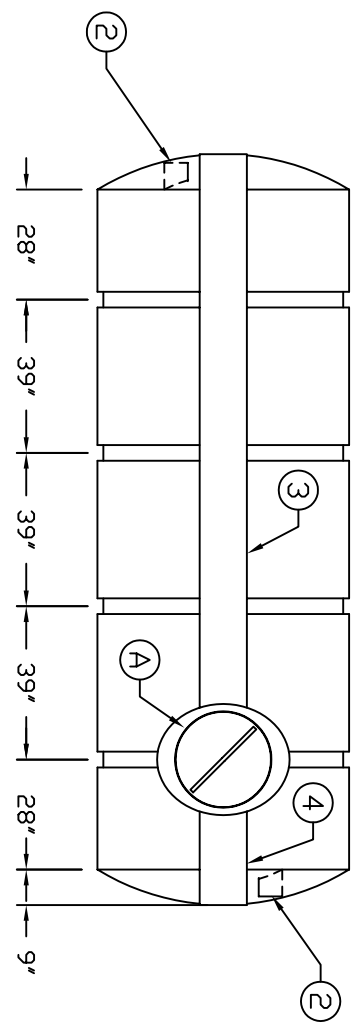
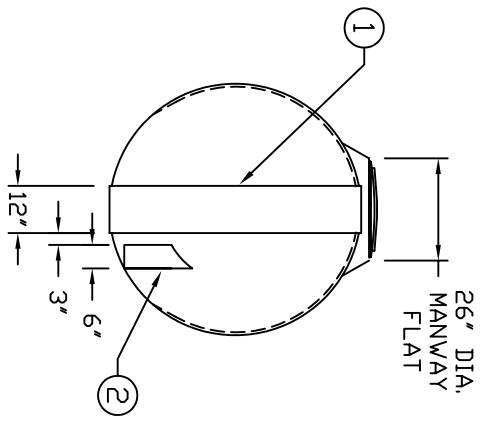


ACCESSORIES					
MK	SIZE	DESCRIPTION	DEG	ELEV	DOME
A	21'	MANWAY W/ THREADED LID & RIM	-	-	X



- NOTES:
1. END FLAT 12" X 64" (2 PLACES)
 2. END FLAT 6" X 12" (2 PLACES)
 3. TOP FLAT 12" X 107"
 4. TOP FLAT 12" X 22"
 5. STIFFENER GROOVES 4" X 1/2" DEEP (4 PLACES)



REV	A	UPDATED TITLE BLOCK	1/13/09 MG
REV		REVISION DESCRIPTION	REV DATE
TITLE IHT 2500 GAL. CYLINDRICAL HORIZONTAL STORAGE TANK			
DRAWN BY: D. CRANER CHECKED BY: 3/25/93 SALES ENGINEER		300 N TAYLOR ROAD GARRETT, IN 46728 PHONE: (260) 337-9181 FAX: (260) 337-9728	
RESIN USED: POLYETHYLENE		TANK DESIGNED: SP.G. MAX	
TANK WEIGHT: - LBS.		SPECIFIC GRAVITY: -	
DWG NUMBER: IHT 2500		REV: A	

ALL DIMENSIONS ARE IN INCHES AND ARE ±3%