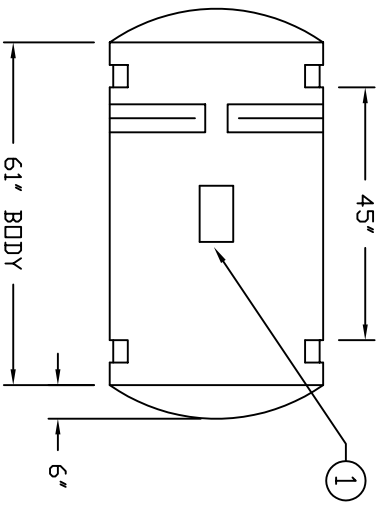
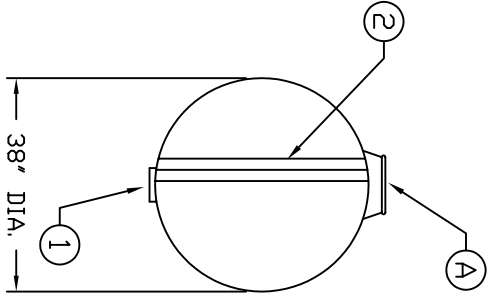
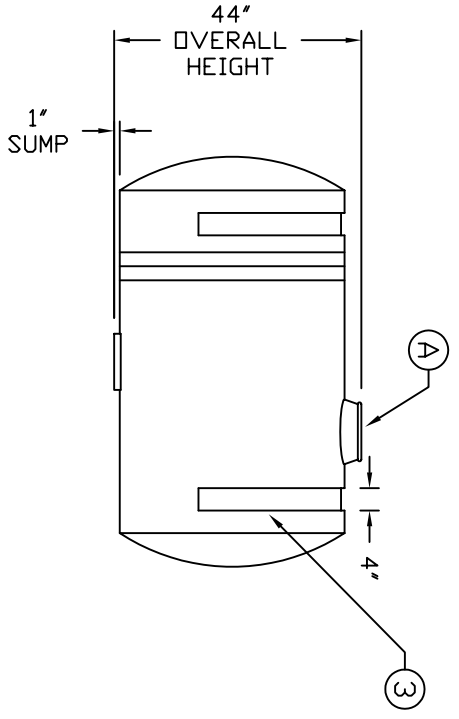
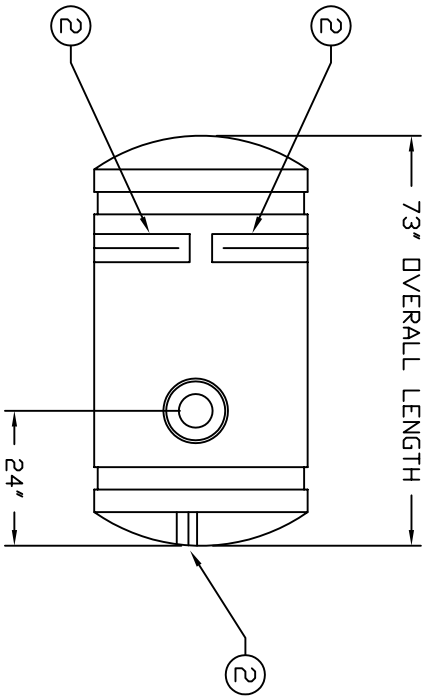


ACCESSORIES					
MK	SIZE	DESCRIPTION	DEG	ELEV	DOME
A	8'	ACCESS W/ THREADED LID & RIM	-	-	X



- NOTES:
1. 10" X 5 1/2" X 1" DEEP SUMP
 2. MOLDED VOLUME MARKER (3 PLACES)
 3. MOLDED IN BANDING GROOVES (2 PLACES)

A	UPDATED TITLE BLOCK	1/9/09 MG
REV	REVISION DESCRIPTION	REV DATE

Lee Lommu
CORPORATION OF AMERICA
300 N TAYLOR ROAD
GARRETT, IN 46728
PHONE: (260) 337-3181
FAX: (260) 337-3728

TITLE: IHT 300 GAL. CYLINDRICAL HORIZONTAL STORAGE TANK
DRAWN BY: D. CRANER
SCALE: 3/25/93
SALES ORDER

RESIN USED	POLYETHYLENE	TANK DESIGNED	SP.G. MAX
TANK WEIGHT	- LBS.	TANK CENTER	-
DWG NUMBER	IHT 300	REV	A

ALL DIMENSIONS ARE IN INCHES AND ARE ±3%