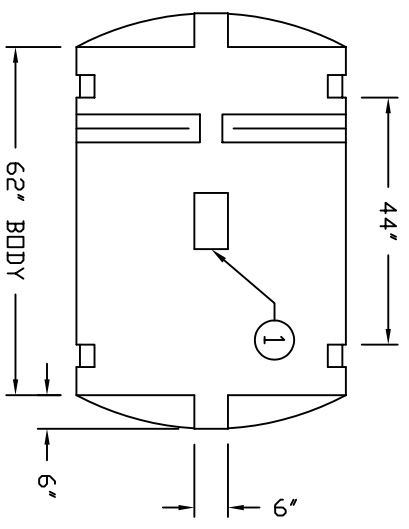
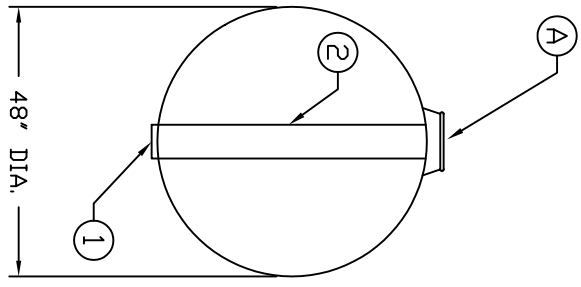
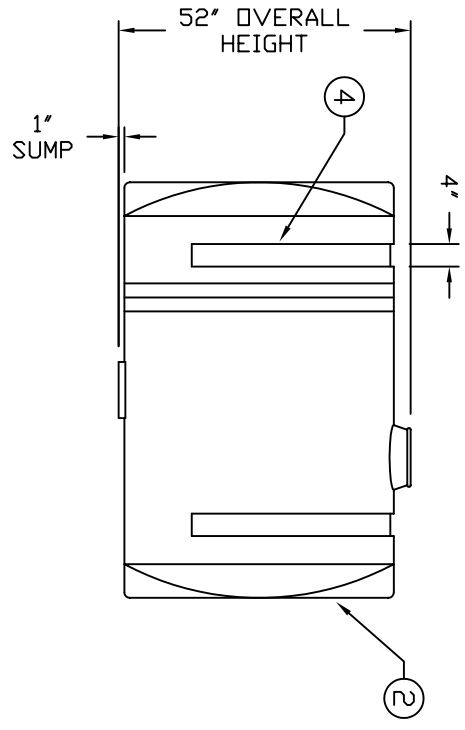
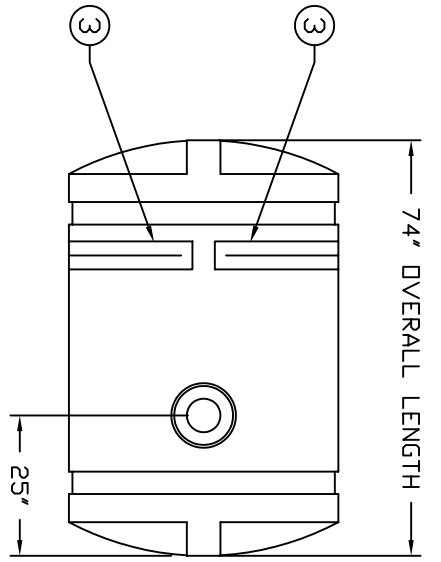


ACCESSORIES					
MK	SIZE	DESCRIPTION	DEG	ELEV	DOME
A	8'	ACCESS W/ THREADED LID & RIM	-	-	X



- NOTES:
1. 10' X 5 1/2" X 1" SUMP
  2. 6' X 48" END FLATS ( 2 PLACES )
  3. MOLDED IN VOLUME MARKER ( 2 PLACES )
  4. MOLDED IN BANDING GROOVES ( 2 PLACES )

A	UPDATED TITLE BLOCK	1/9/09	MG
REV	REVISION DESCRIPTION	REV DATE	
300 N TAYLOR ROAD GARRETT, IN 46728 PHONE: (260) 337-3181 FAX: (260) 337-3728			
POLYETHYLENE TANK RESIN SPECIFIC GRAVITY - S.P.G. MAX - LBS.			
TITLE: IHT 500 GAL. CYLINDRICAL HORIZONTAL STORAGE TANK			
DESIGNED BY	DATE	SALES ORDER	
D. CRANER	12/08/95		
DWG NUMBER: IHT 500 REV: A			

ALL DIMENSIONS ARE IN INCHES AND ARE ±3%