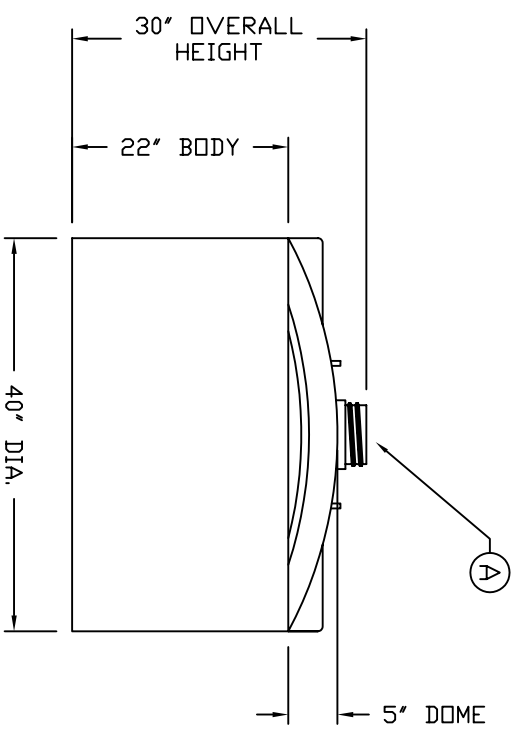
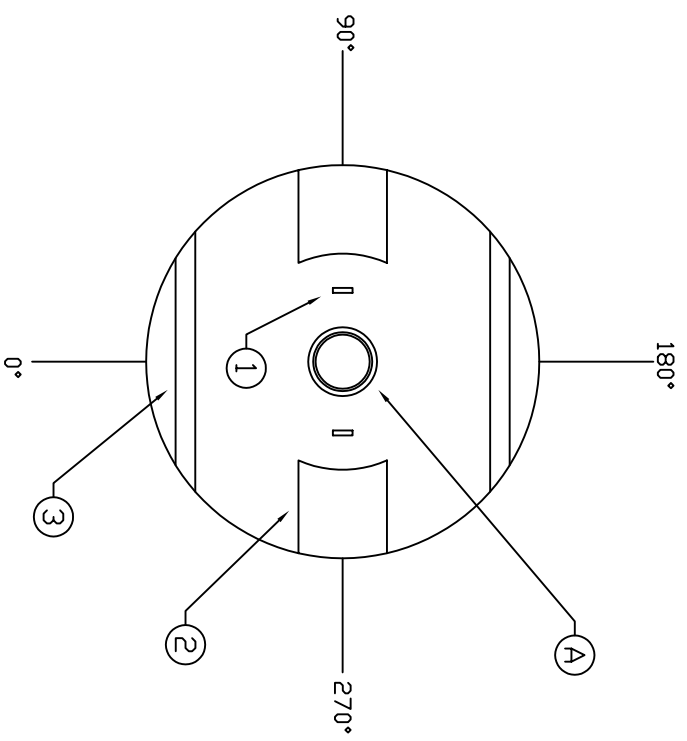



ACCESSORIES					
MK	SIZE	DESCRIPTION	DEG	ELEV	DOME
A	6'	ACCESS W/ THREADED COVER	CL	-	X



- NOTES:
1. TETHER LUGS (2 PLACES)
 2. 9" X 9" DOME FLATS (2 PLACES)
 3. MOLDED IN TIE DOWN GROOVES (2 PLACES)

A	UPDATED TITLE BLOCK	1/21/09 MG
REV	REVISION DESCRIPTION	REV DATE
 <p>300 N TAYLOR ROAD GARRETT, IN 46728 PHONE: (260) 337-3181 FAX: (260) 337-3728</p>		
<p>TITLE: IMB 120 GAL. VERTICAL STORAGE DR NON DOT TRANSPORT TANK</p>		
DESIGN BY:	DESIGN DATE:	SALES ORDER:
	3/27/93	
<p>RESIN USED: POLYETHYLENE TANK RESIN: SP.G. MAX TANK WEIGHT: - LBS. TANK CENTER: -</p>		
DWG NUMBER:		REV
IMB 120		A

ALL DIMENSIONS ARE IN INCHES AND ARE ±3%